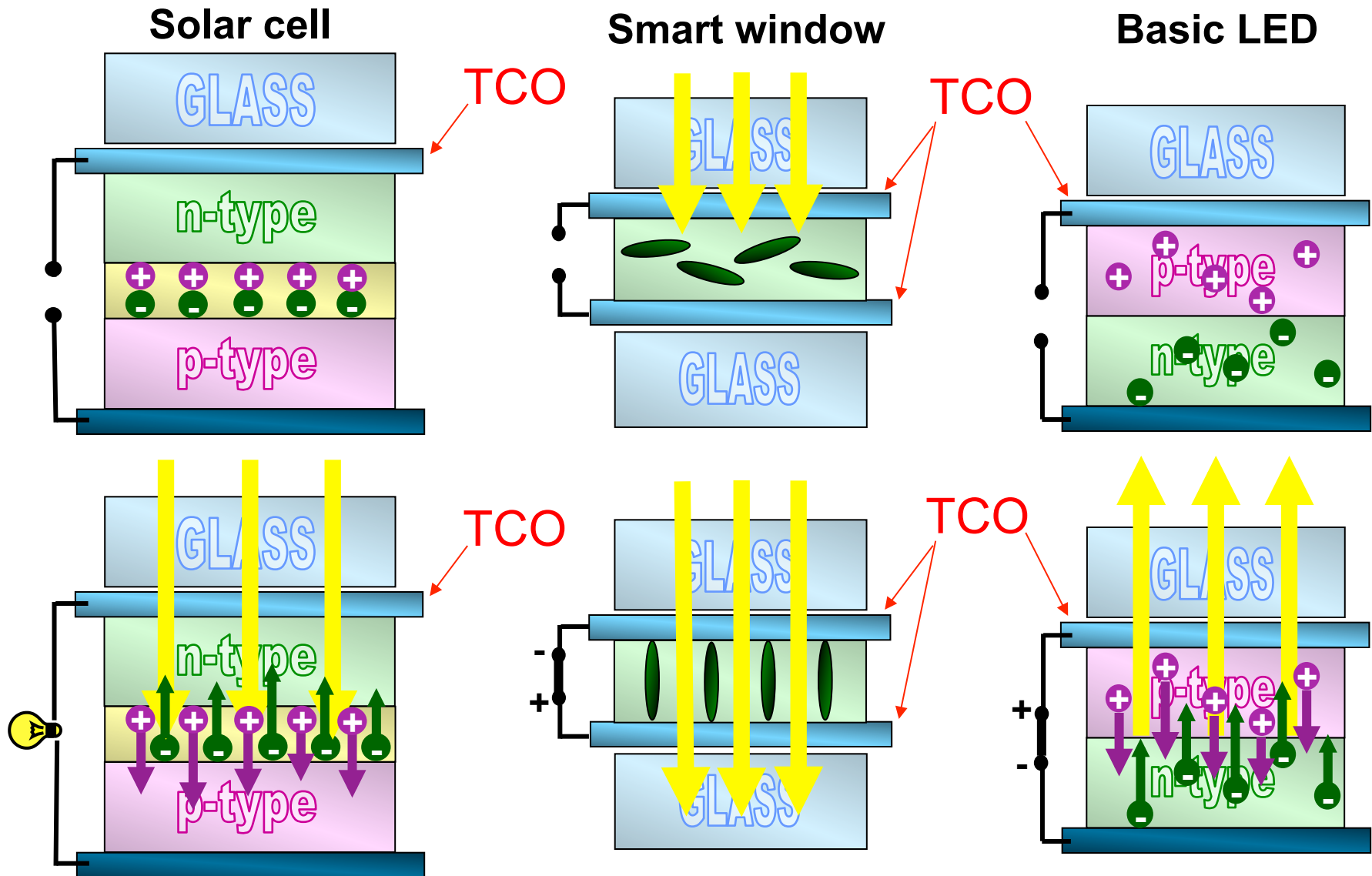


TCO – a window and a contact layer simultaneously

J.E. Medvedeva, Missouri S&T



TCO also acts as a structural template, a diffusion barrier and an interface