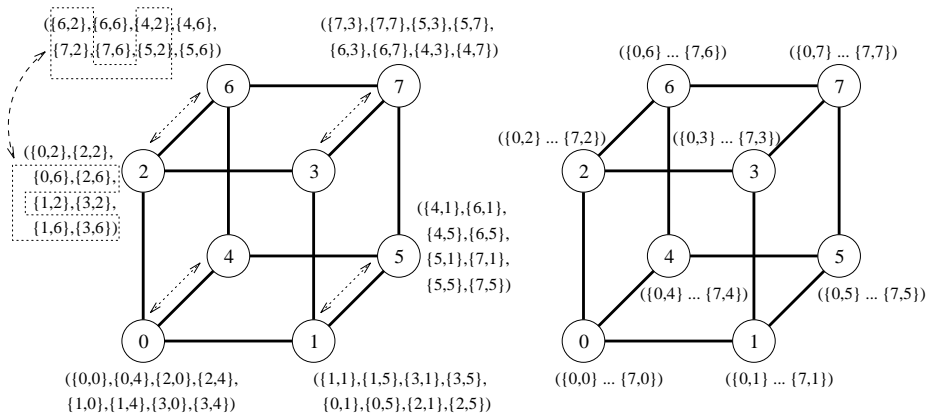


(a) Initial distribution of messages

(b) Distribution before the second step



(c) Distribution before the third step

(d) Final distribution of messages

**Figure 3.20** All-to-all personalized communication on a three-dimensional hypercube with SF routing.

Copyright (r) 1994 Benjamin/Cummings Publishing Co.