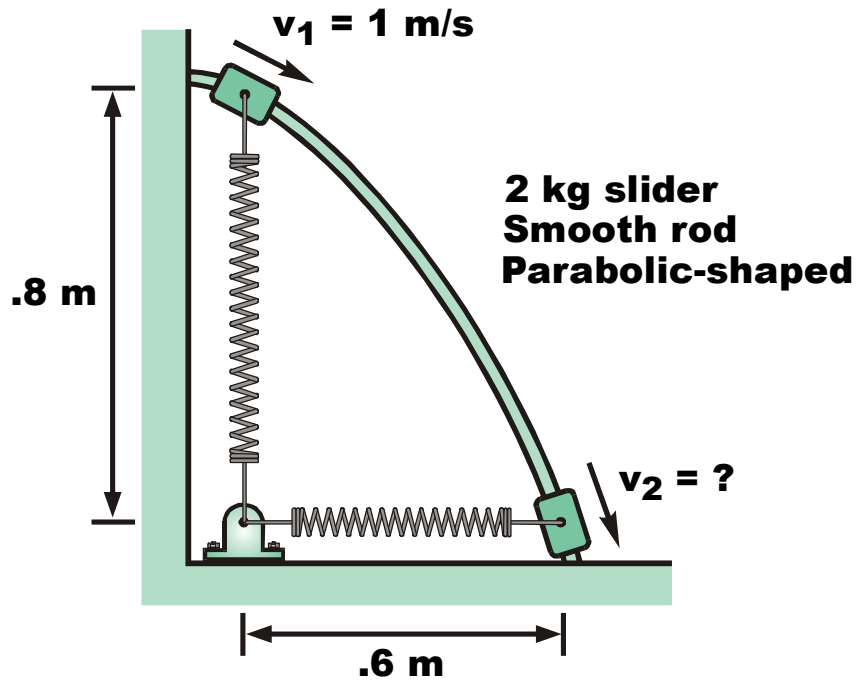
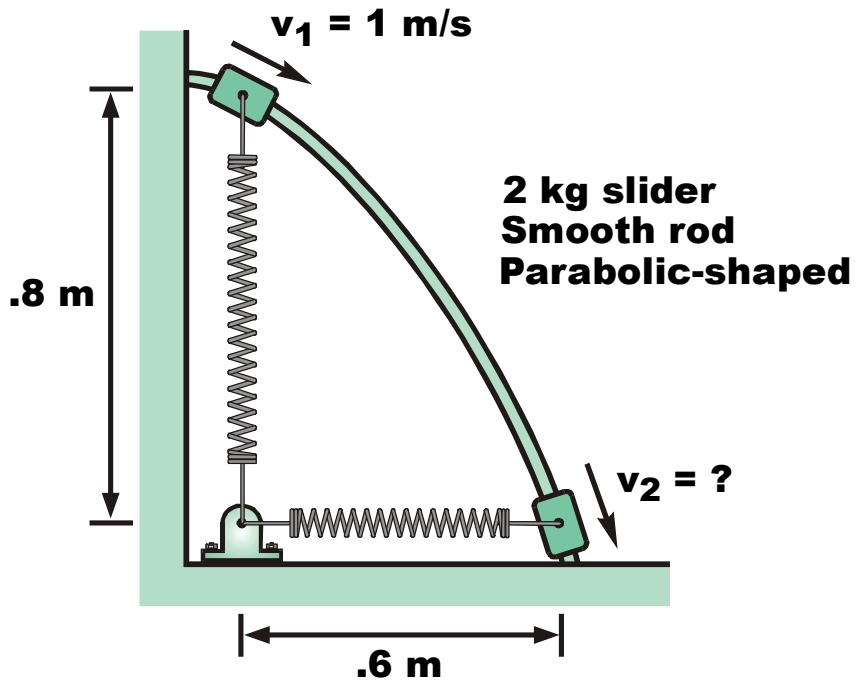


Exam 4B, Fall 2005: Problem 1 (Particle WE)

1. (25 points) A 2 kg slider moves along a smooth curved rod in a vertical plane. Attached to it is a massless spring ($k = 500 \text{ N/m}$, unstretched length = 0.4 m). If $v_1 = 1 \text{ m/s}$, please determine v_2 .



Spring: $k = 500 \text{ N/m}$
Unstretched length = 0.4 m



Spring: $k = 500\text{ N/m}$
Unstretched length = 0.4 m