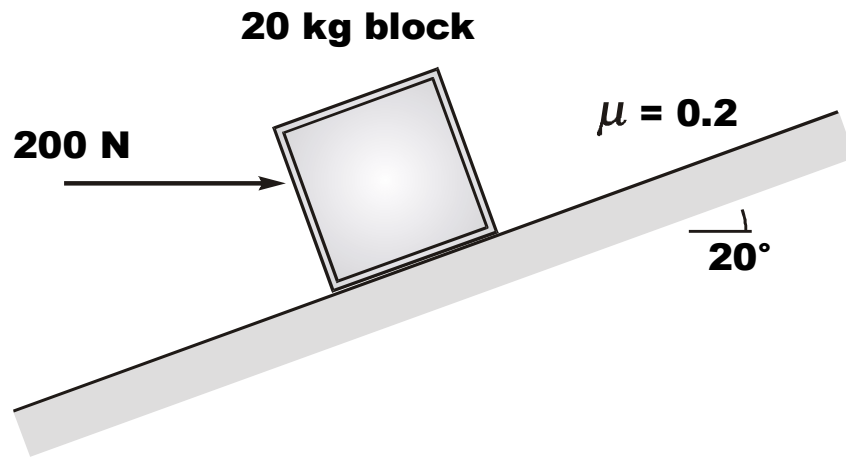


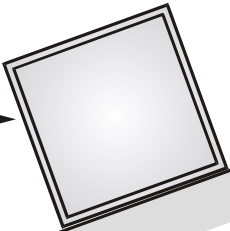
Final Exam, Spring 2005A: Problem 4 (Particle $F=ma$)

4. (25 points) A horizontal 200 N force is applied to a 20 kg block which is on a 20° slope. If $\mu = 0.2$ between the block and the slope, determine the acceleration of the block up the slope.



20 kg block

200 N



$\mu = 0.2$

20°

