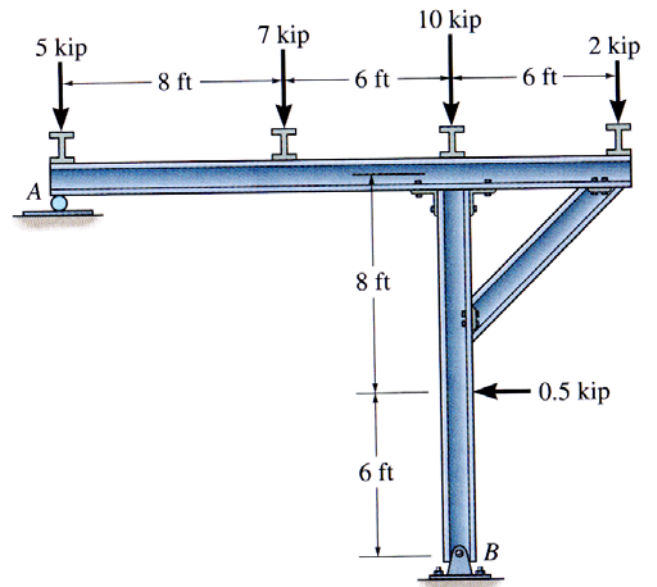
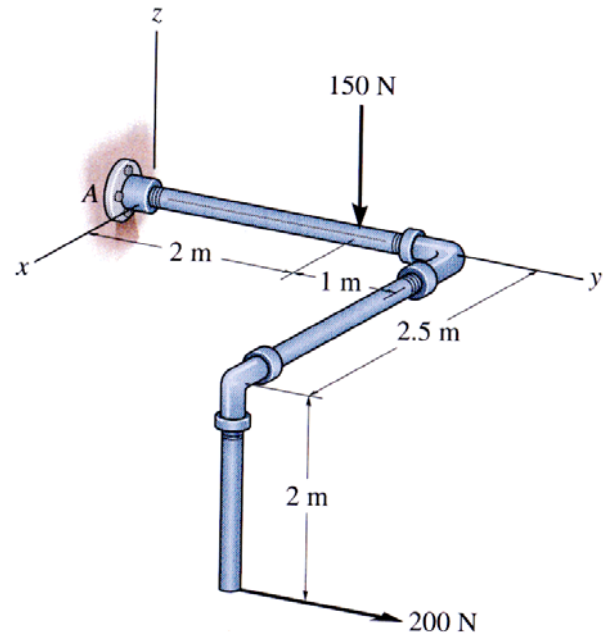


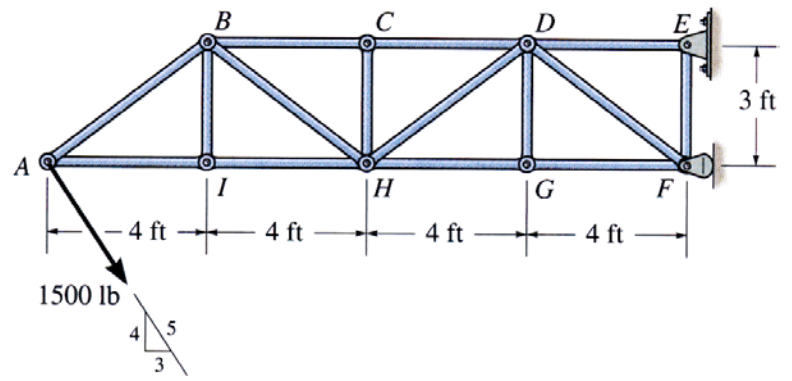
1. Determine the reactions at the supports *A* and *B* of the frame. *Specify reaction directions on your answers.*



2. Determine the reaction at the fixed wall A . The 150-N force is parallel to the z axis and the 200-N force is parallel to the y axis. *Specify reaction directions on your answers.*



3. Determine the force in members CD , CH , BH , and IH of the truss, and state if the members are in tension or compression.



4. The two-member structure is connected at C by a pin, which is fixed to BDE and passes through the smooth slot in member AC . Determine the reactions at the ground supports A , D , and E . Specify reaction directions on your answers.

