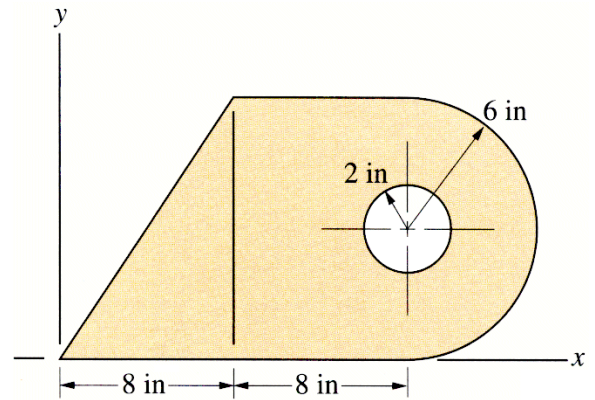


IDE 50 - Statics - Fall 2005

Exam 4 – Centroids, Moment of Inertia

Name:
Section: J

1. Determine the location (x,y) of the centroid.



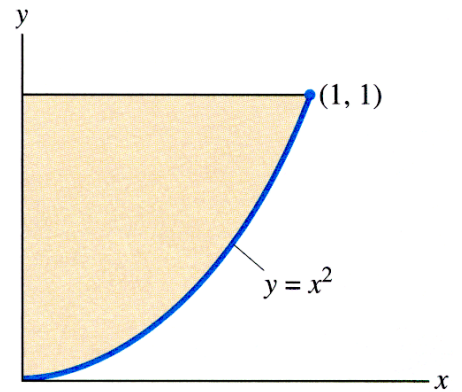
IDE 50 - Statics - Fall 2005

Exam 4 – Centroids, Moment of Inertia

Name:

Section: J

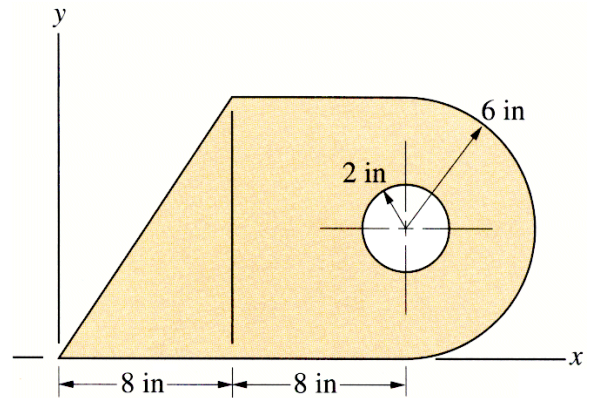
2. Determine the **volume** created by revolving the area shown 360° about the y -axis. The units are in inches.



IDE 50 - Statics - Fall 2005
Exam 4 – Centroids, Moment of Inertia

Name:
Section: J

3. Determine I_y of the shaded area with respect to the y -axis.



4. Determine the angle θ_p of the principal axes with respect to the x - y axes. Hint: You will need I_x , I_y , and I_{xy} .

