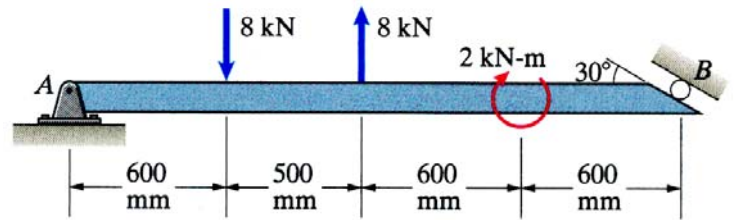
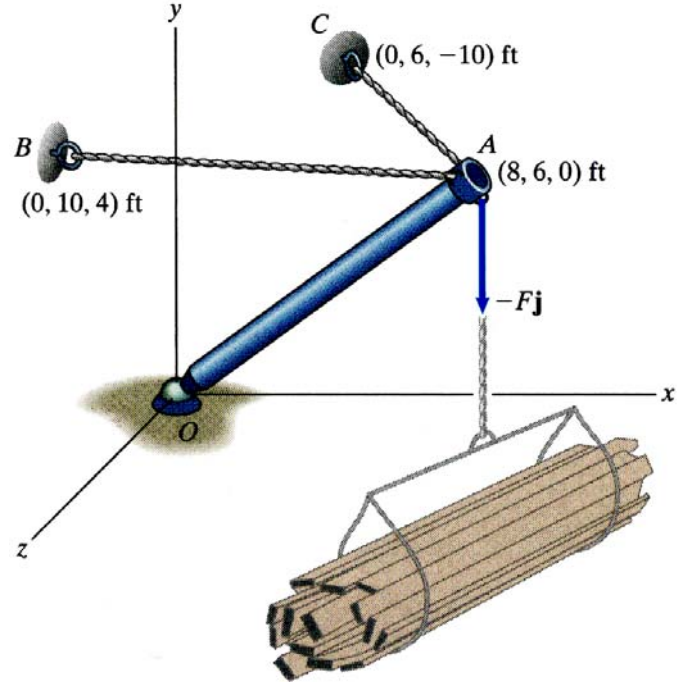


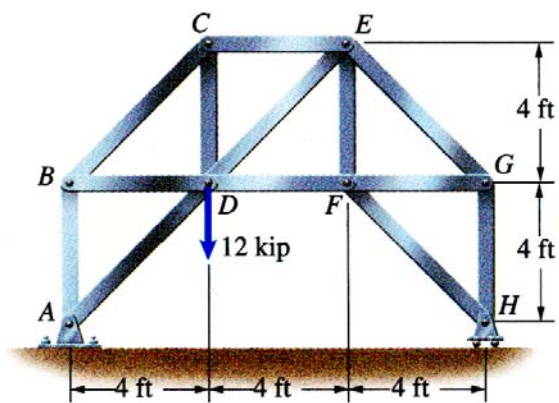
1. Determine the reactions at *A* and *B*.



2. The suspended load exerts a force $F = 600$ lb at A , and the weight of bar OA is negligible. Determine the tensions in the cables and the reactions at the ball and socket support O .



3. Determine the forces in members CE , DE and EG and state whether they are in tension or compression.



4. Determine the forces on member ABD and sketch them on the image below.

