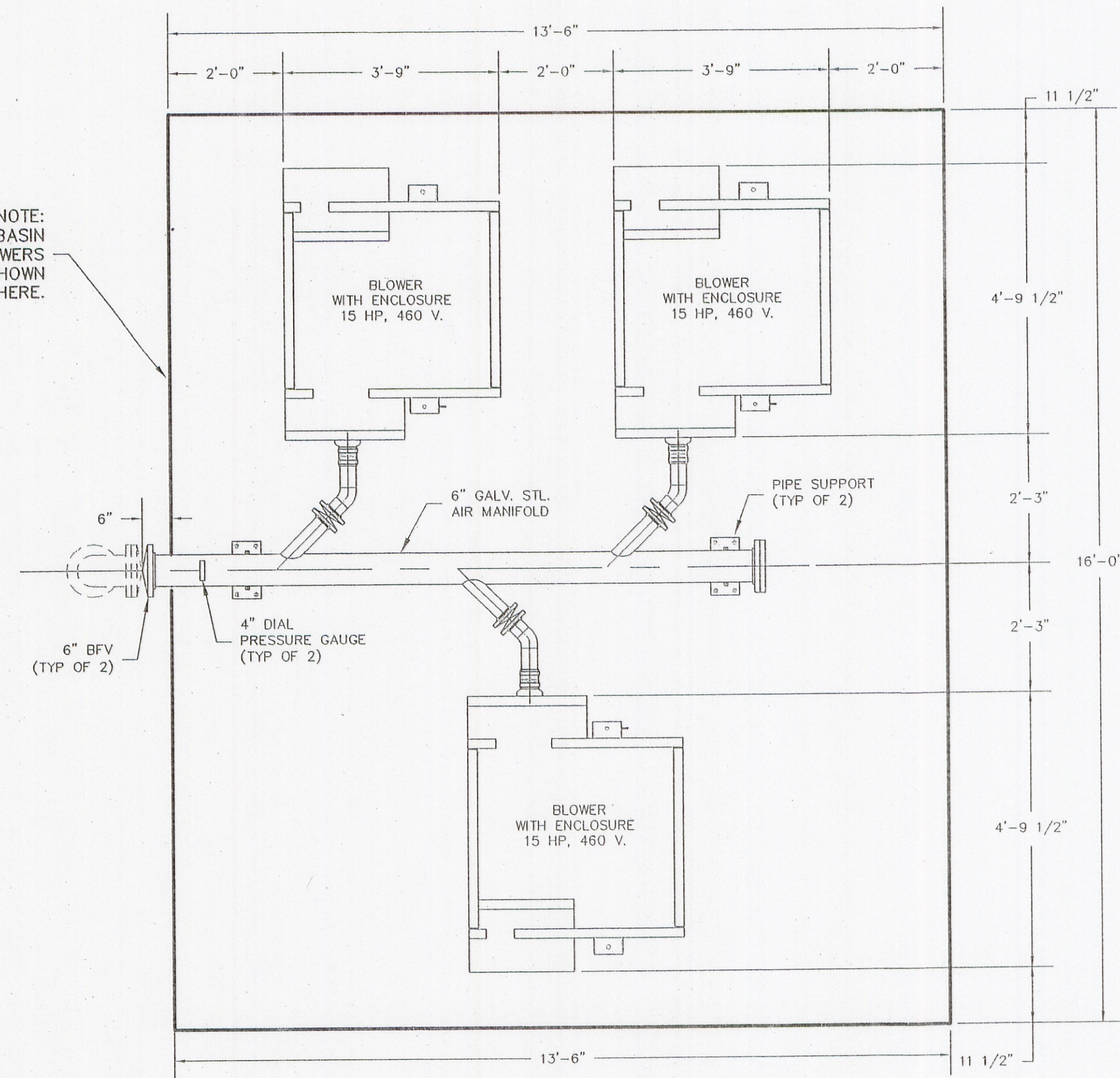
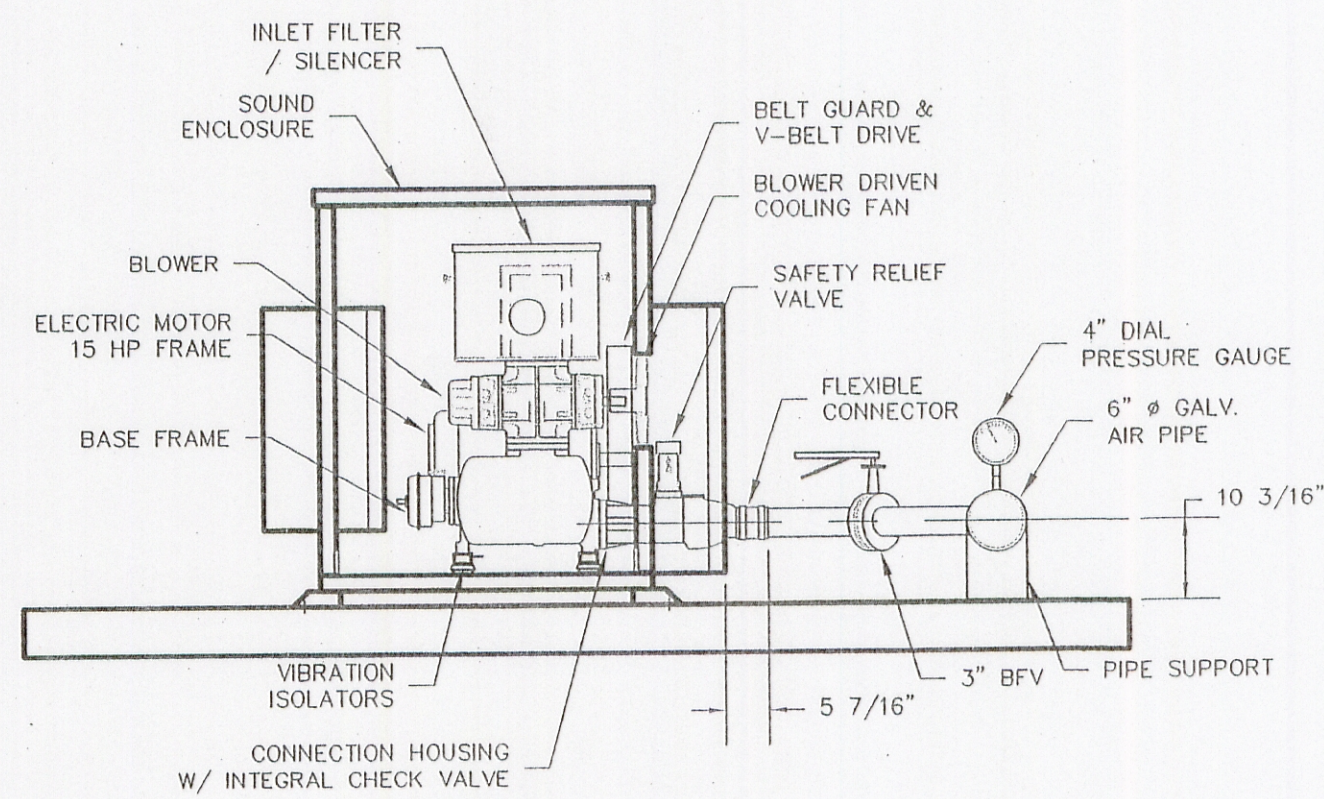


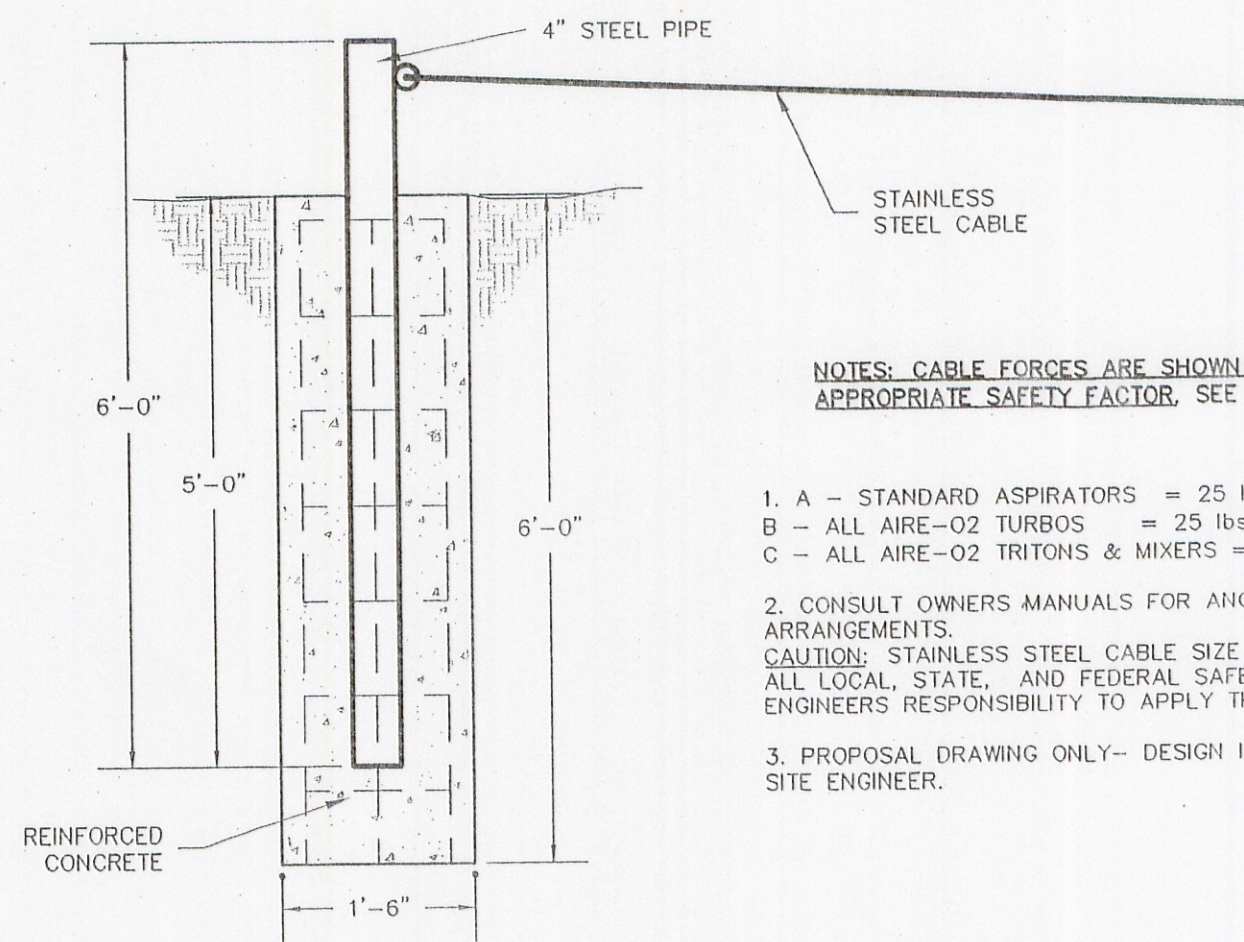
NOTE:  
EACH AERATION BASIN  
SHALL HAVE THREE BLOWERS  
WITH A DESIGN AS SHOWN  
HERE.



PLAN VIEW



ELEVATION  
AERATION BASIN BLOWER DETAIL  
1/2" = 1'-0"

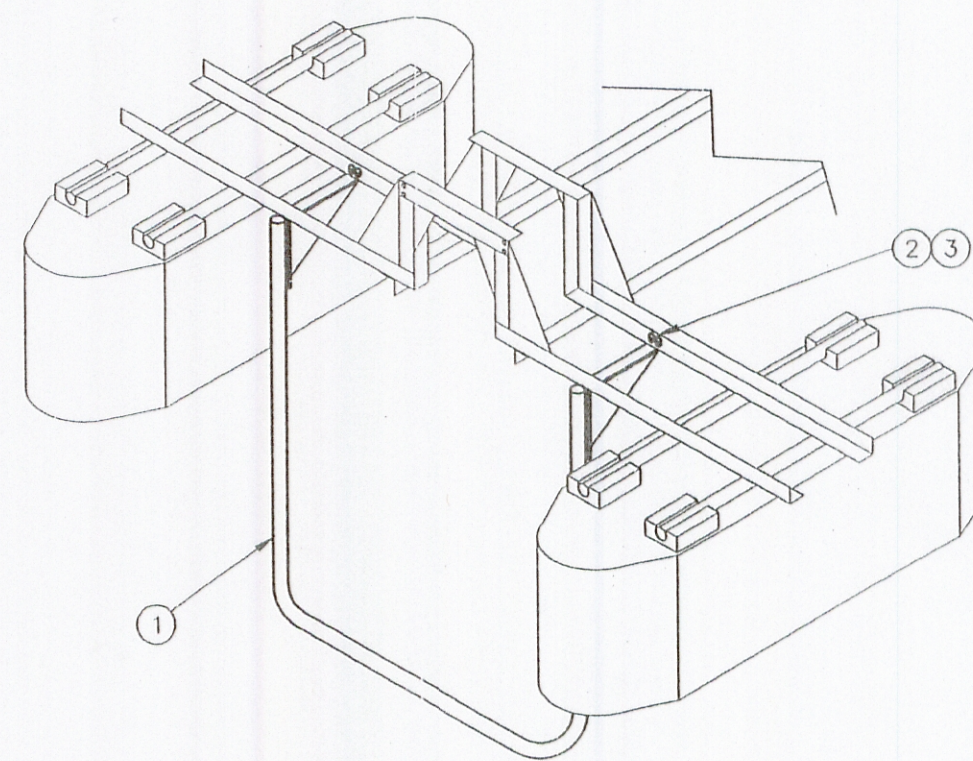


TYPICAL ANCHOR POST  
N.T.S.

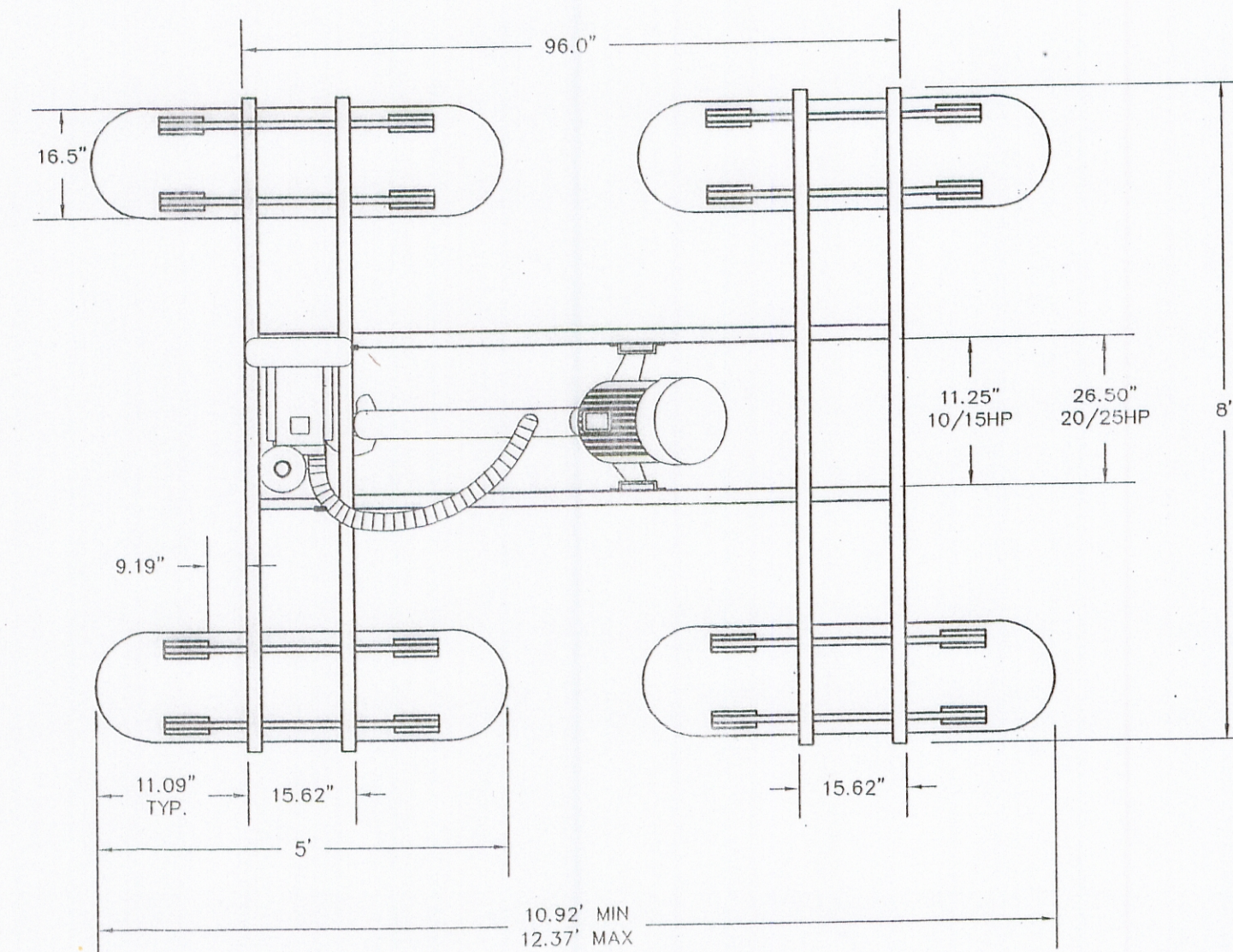
NOTES: CABLE FORCES ARE SHOWN PER HP WITH OUT THE  
APPROPRIATE SAFETY FACTOR. SEE NOTE 2. (CAUTION)

1. A - STANDARD ASPIRATORS = 25 lbs/hp
- B - ALL AIRE-O2 TURBOS = 25 lbs/hp
- C - ALL AIRE-O2 TRITONS & MIXERS = 45 lbs/hp
2. CONSULT OWNERS MANUALS FOR ANCHORING, AND MOORING ARRANGEMENTS.  
CAUTION: STAINLESS STEEL CABLE SIZE MUST BE SELECTED, SO IT MEETS ALL LOCAL, STATE, AND FEDERAL SAFETY REGULATIONS, AND IS THE SITE ENGINEERS RESPONSIBILITY TO APPLY THE PROPER SAFETY FACTOR.
3. PROPOSAL DRAWING ONLY- DESIGN IS THE RESPONSIBILITY OF THE SITE ENGINEER.

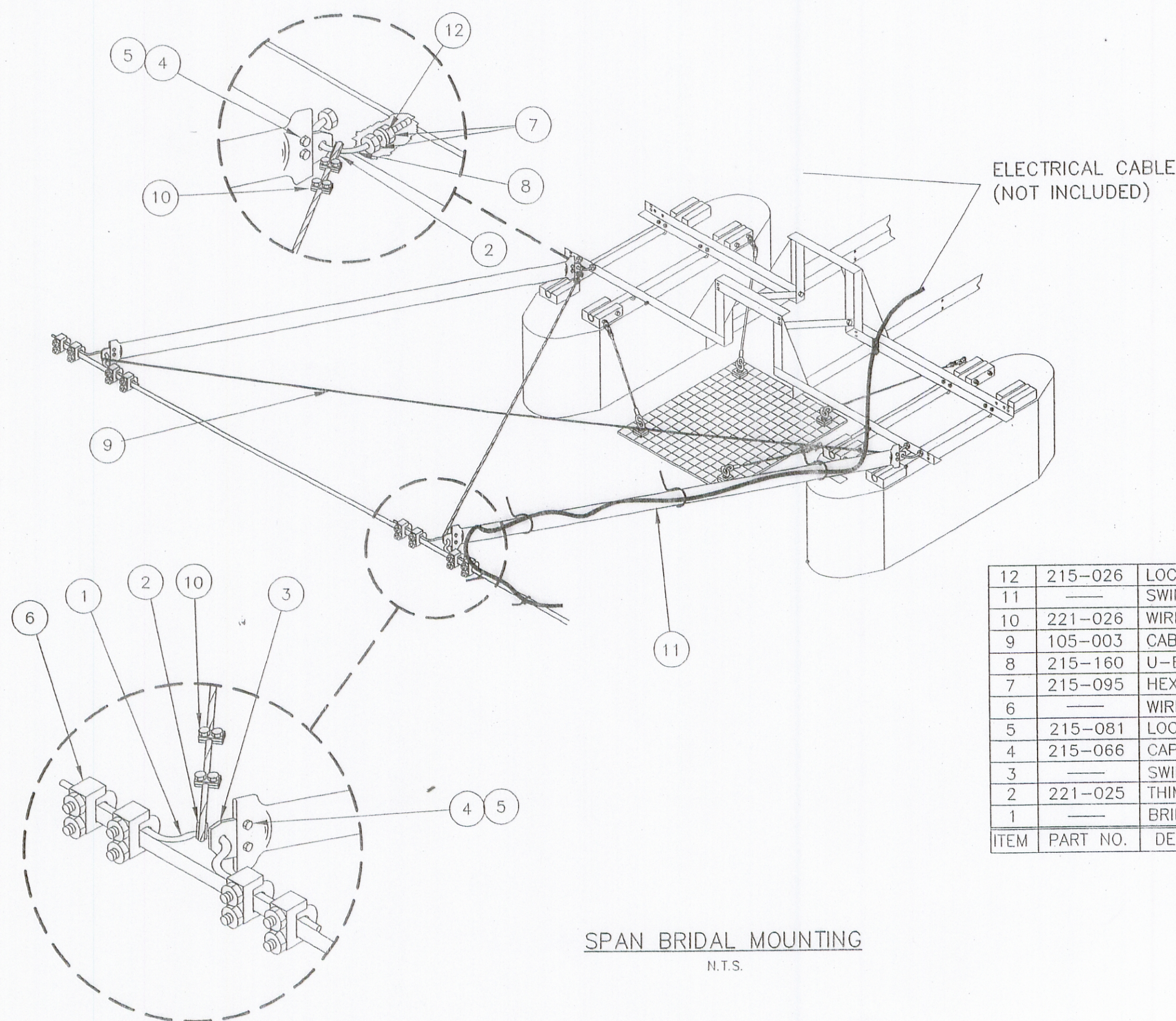
ITEM	PART NO.	DESCRIPTION	QTY.
3	215-102	LOCKNUT .313-18UNC	8
2	215-088	CAPSCREW .313-18UNC x 1.25	8
1	214-999	FLOAT SUPPORT GALV	1
1	214-998	FLOAT SUPPORT S.S.	1



FLOAT SUPPORT ASSEMBLY DETAIL  
N.T.S.

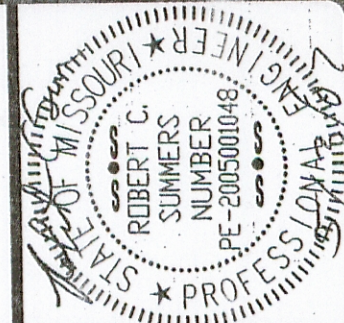


FLOATING AERATOR DETAIL  
N.T.S.



SPAN BRIDAL MOUNTING  
N.T.S.

12	215-026	LOCKWASHER .375	4
11	---	SWING ARM	2
10	221-026	WIRE ROPE CLAMP S.S.	8
9	105-003	CABLE .25 SS	A/R
8	215-160	U-BOLT .375	2
7	215-095	HEX NUT .375	8
6	---	WIRE ROPE CLAMP	8
5	215-081	LOCKNUT .375	8
4	215-066	CAPSCREW .375 x .00	8
3	---	SWING ARM PIVC T	4
2	221-025	THIMBLE .25 SS	4
1	---	BRIDLE	2
ITEM	PART NO.	DESCRIPTION	QTY.



Revisions:

Columbia  
2415 Carver Lane, Suite 105  
Columbia, MO 65201  
(P) 573-441-0806

Poplar Bluff Main Office  
4800 West Boulevard  
Poplar Bluff, MO 63901  
(P) 573-688-0806  
www.schultzengineering.com



Lake of the Ozarks  
4821 Hwy 54, Suite 203  
Osage Beach, MO 65065  
(P) 573-502-4606

CAMELOT ESTATES SEWER  
DISTRICT OF CAMDEN COUNTY

CAMDEN COUNTY, MISSOURI

BLOWER  
DETAILS

05-24-2008  
Designed by: RCS  
Checked by: RCS  
Project #: 210367  
Field Book:  
Drawn by: ALA  
Land Desktop  
File: 210367-CAMELOT/DETAILS

SHEET: