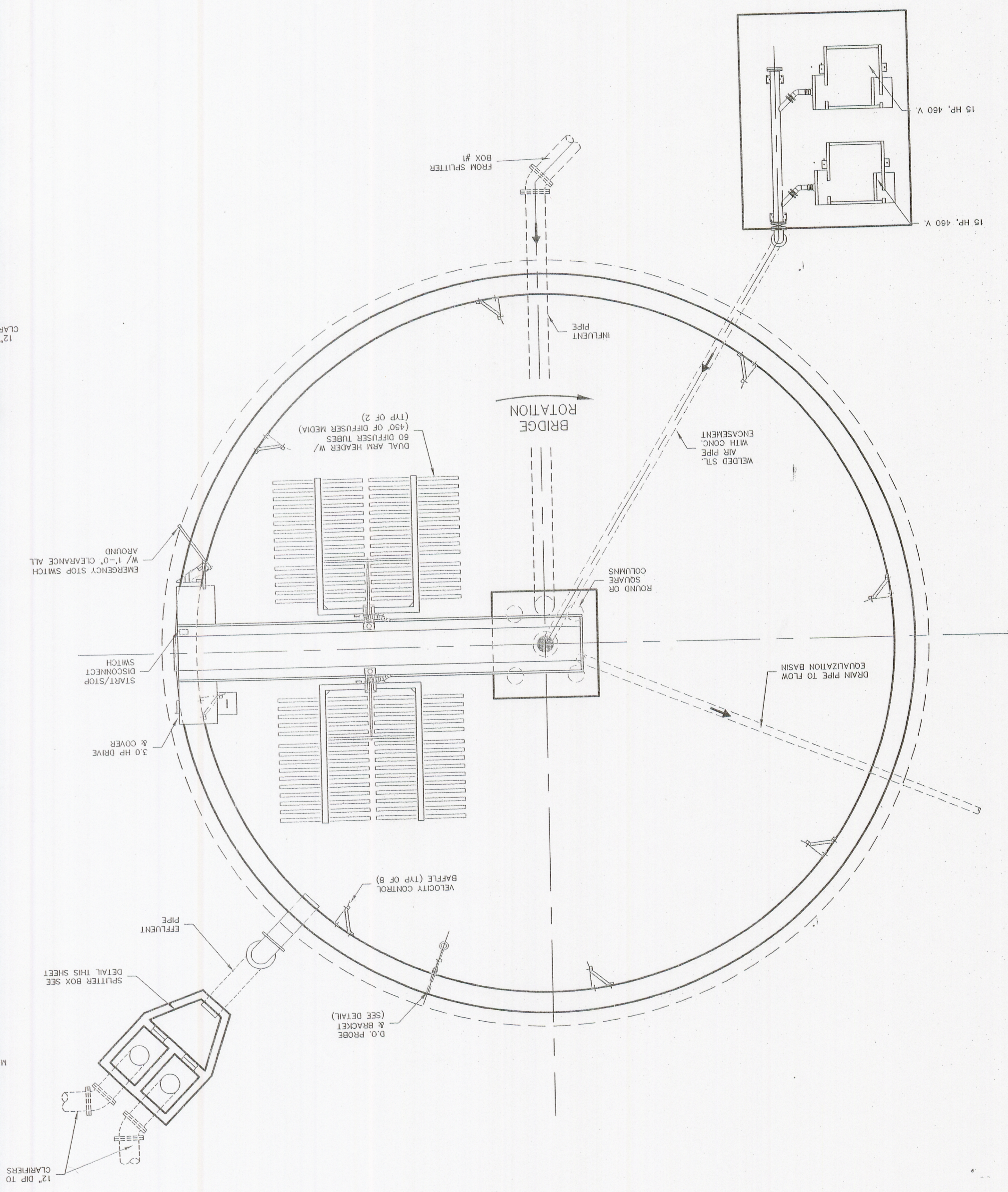
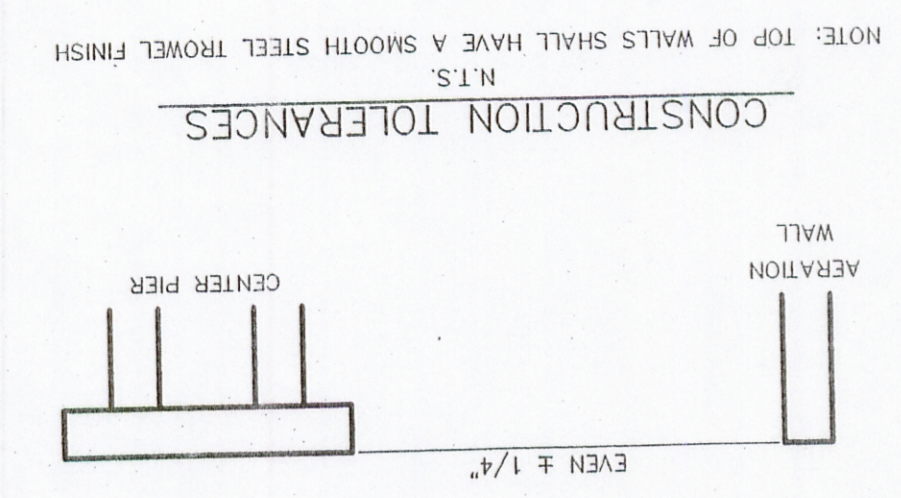
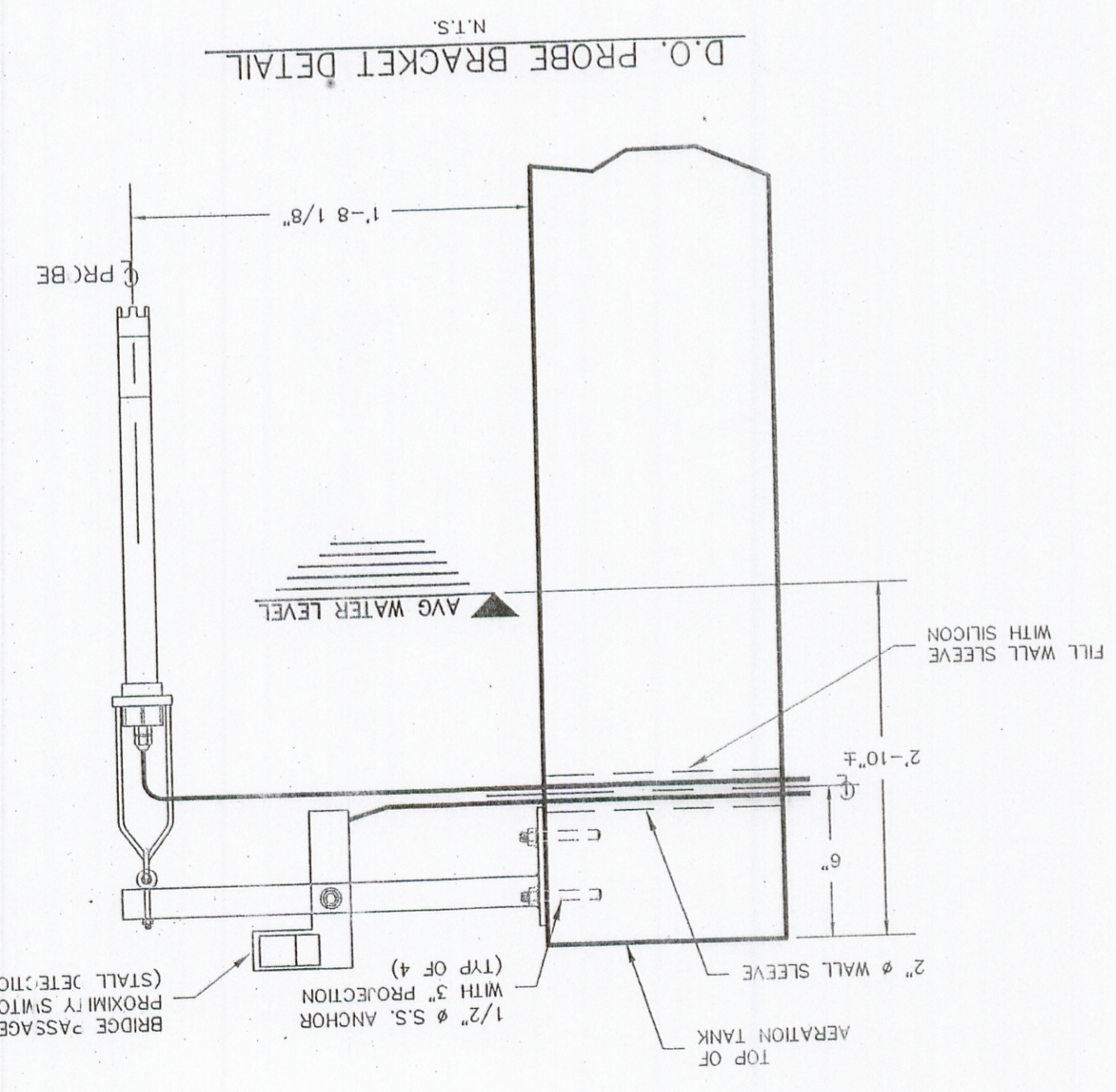
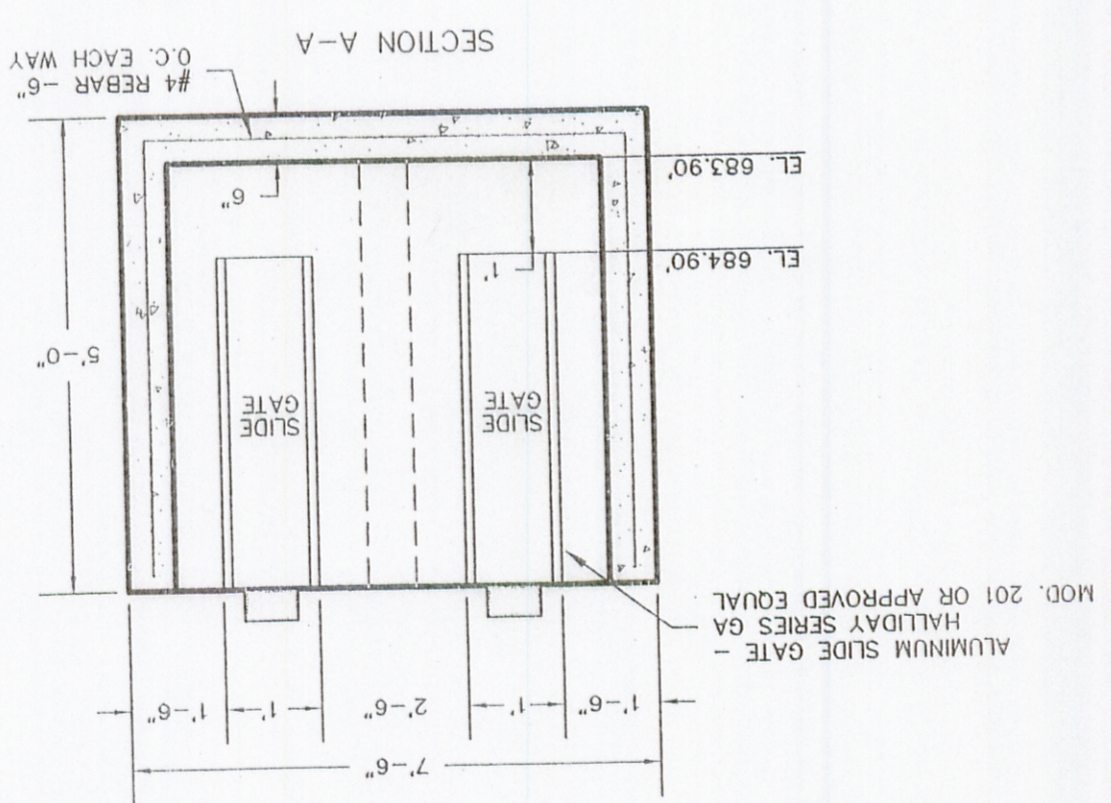
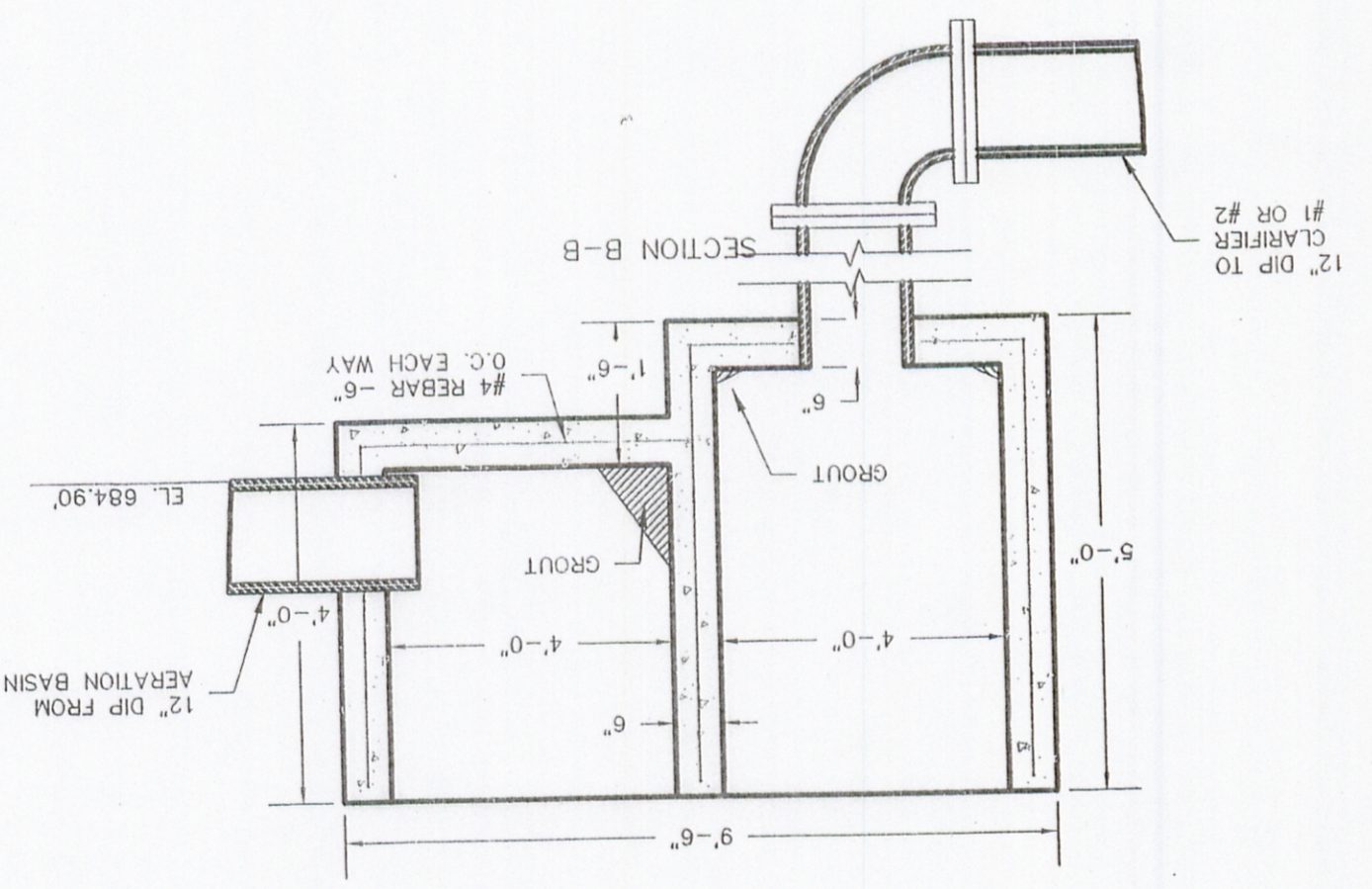
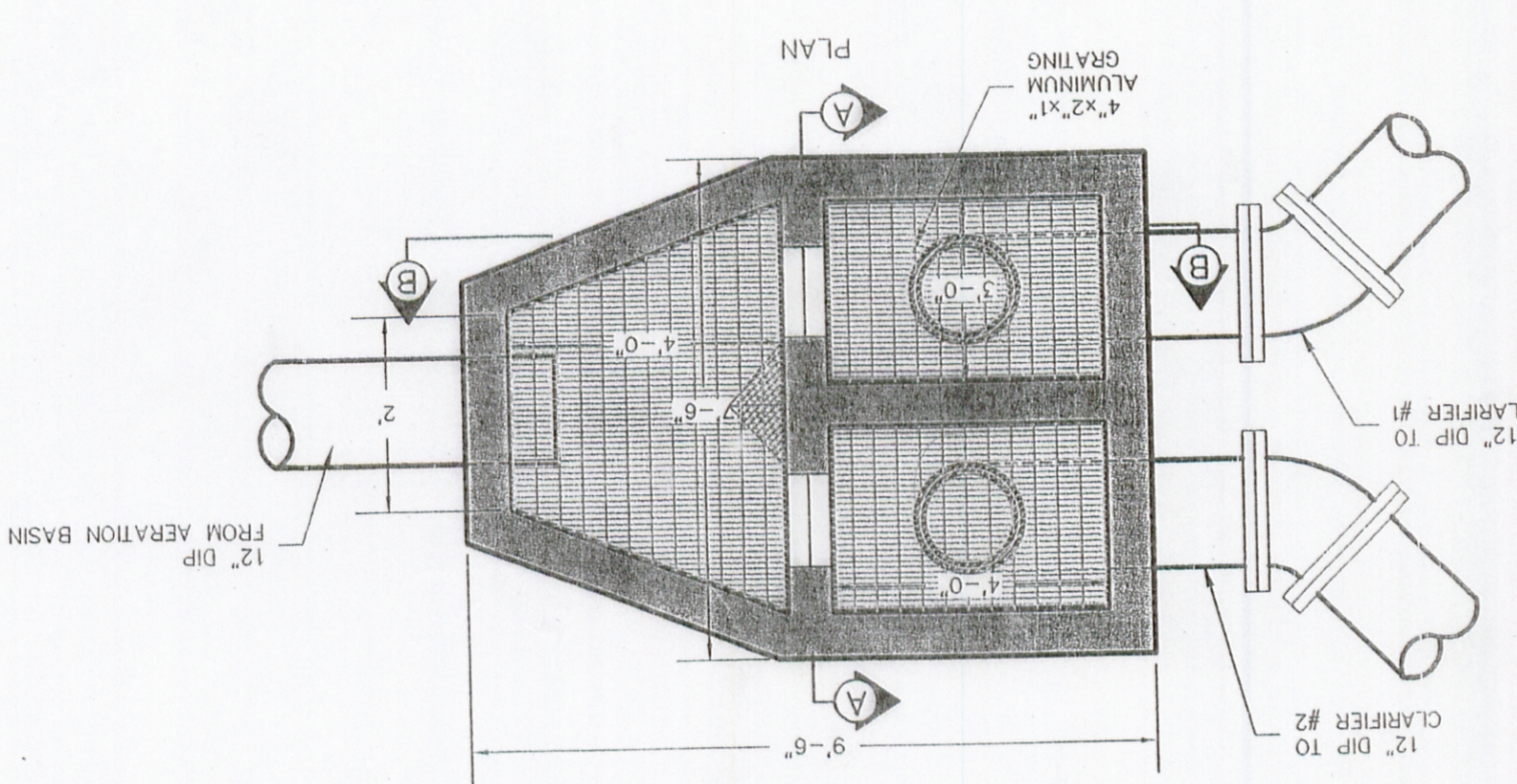


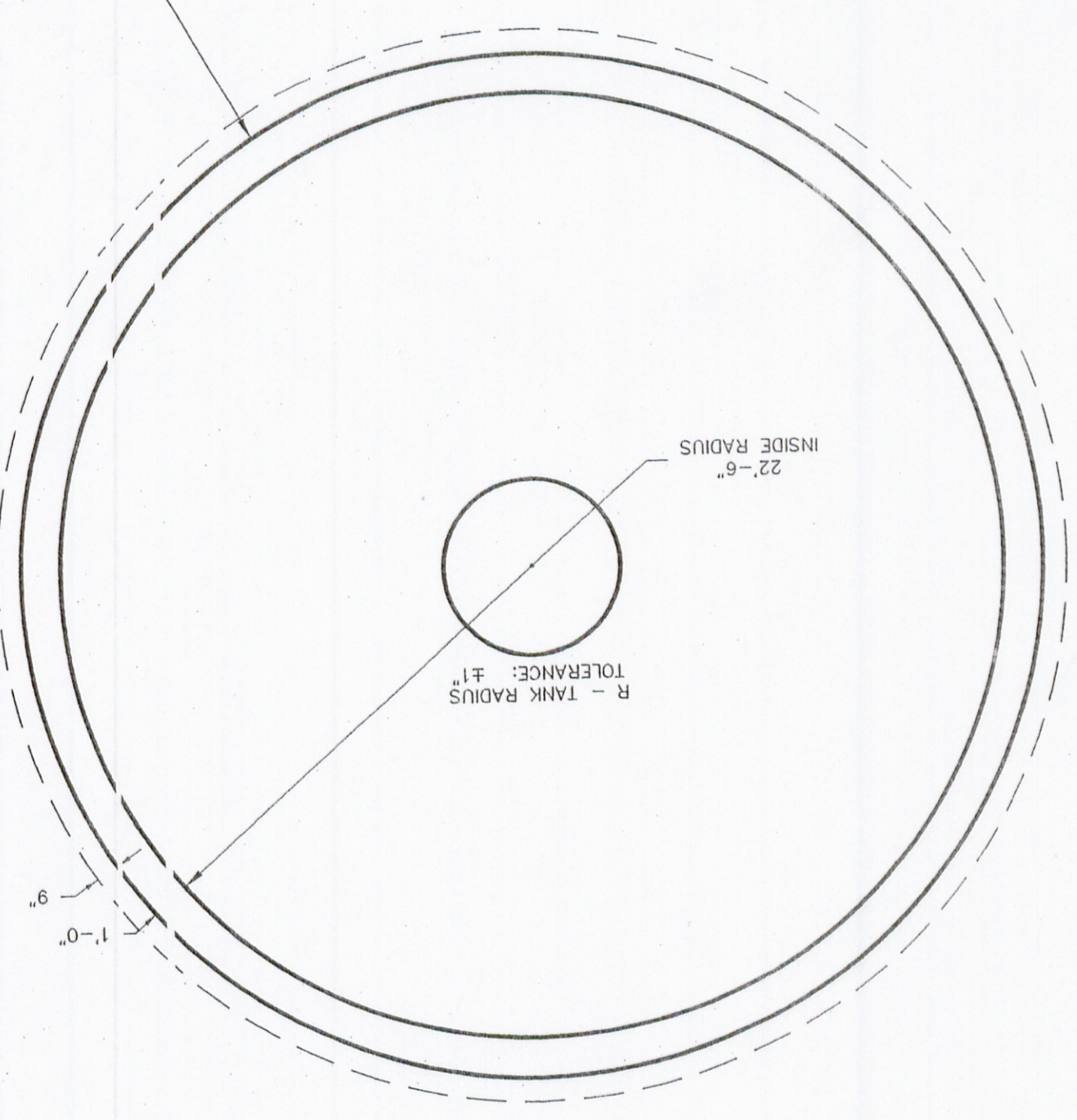
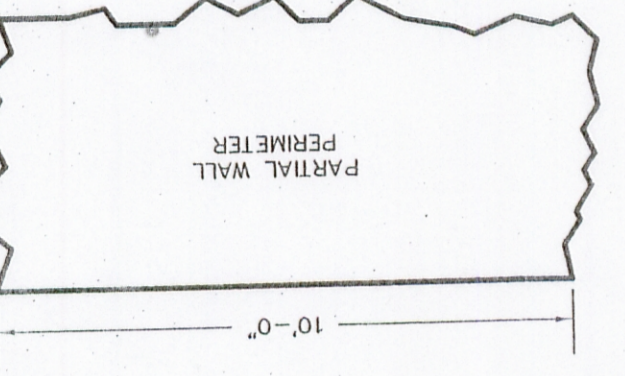
PLAN VIEW
N.T.S.



SPLITTER BOX #2
N.T.S.



E - TOP OF WALL ELEVATION TOLERANCES: ± 1/2" ON TOTAL PERIMETER ± 1/4" WITHIN 10' ON PERIMETER



SHEET: 0

AEATION BASIN
PLAN & DETAILS

05-24-2006
Designed by: RCS
Checked by: RCS
Project #: 2104967

Survised by:
Field Book:
Drawn by: A.A.
Lana Desktop

CAMELOT ESTATES SEWER
DISTRICT OF CAMDEN COUNTY
CAMDEN COUNTY, MISSOURI

Schultz Engineering Services, Inc.
Civil Engineering - Land Surveying - Materials Testing

Poplar Bluff Main Office
2415 Center Lane, Suite 105
Poplar Bluff, MO 63901
(P) 573-686-0806
www.schultzengineering.com

Columbia
4821 Hwy 54, Suite 203
Osage Beach, MO 65066
(P) 573-352-9968

Revisions:

ROBERT C. SCHULTZ
REGISTERED PROFESSIONAL ENGINEER