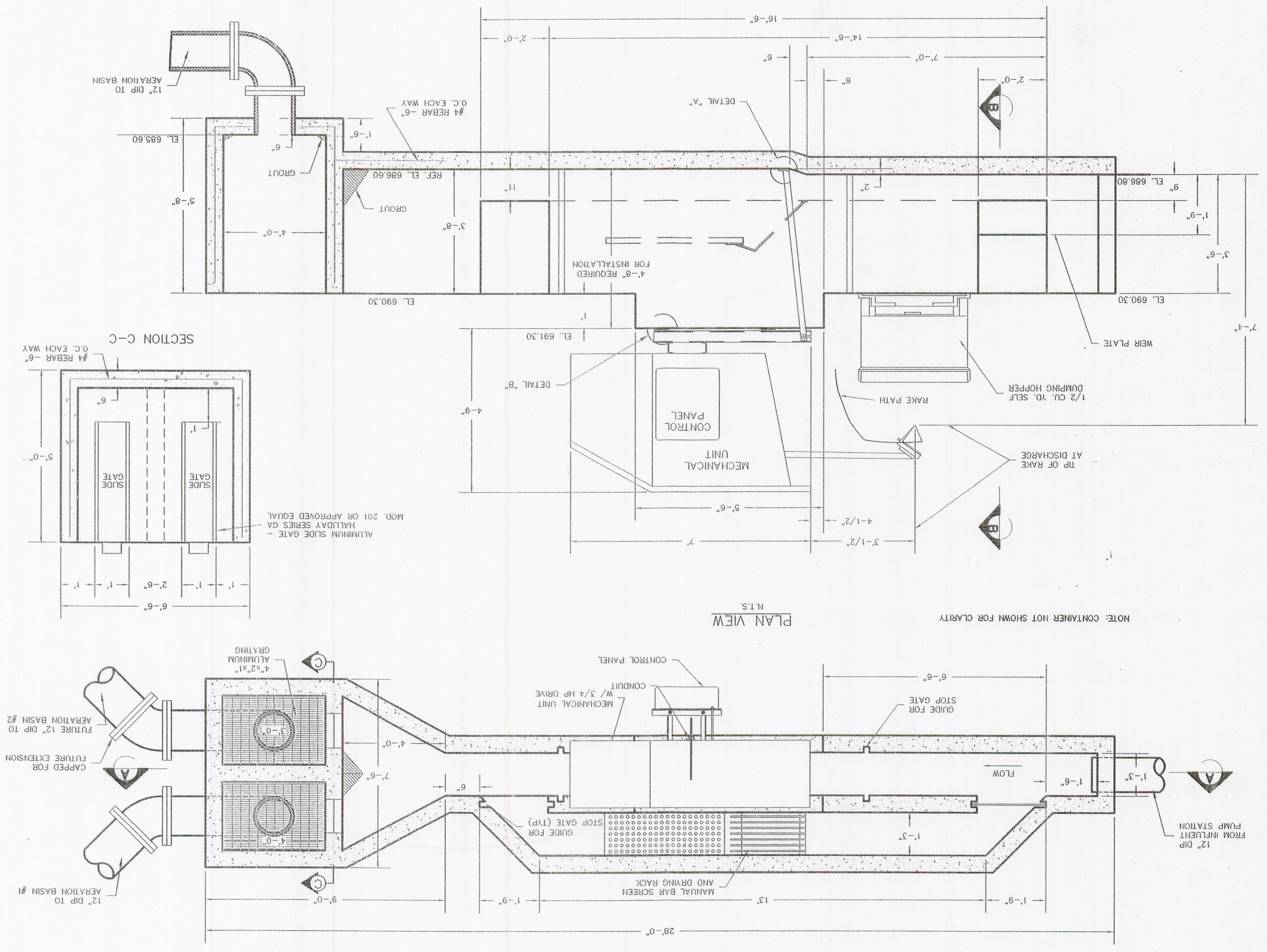
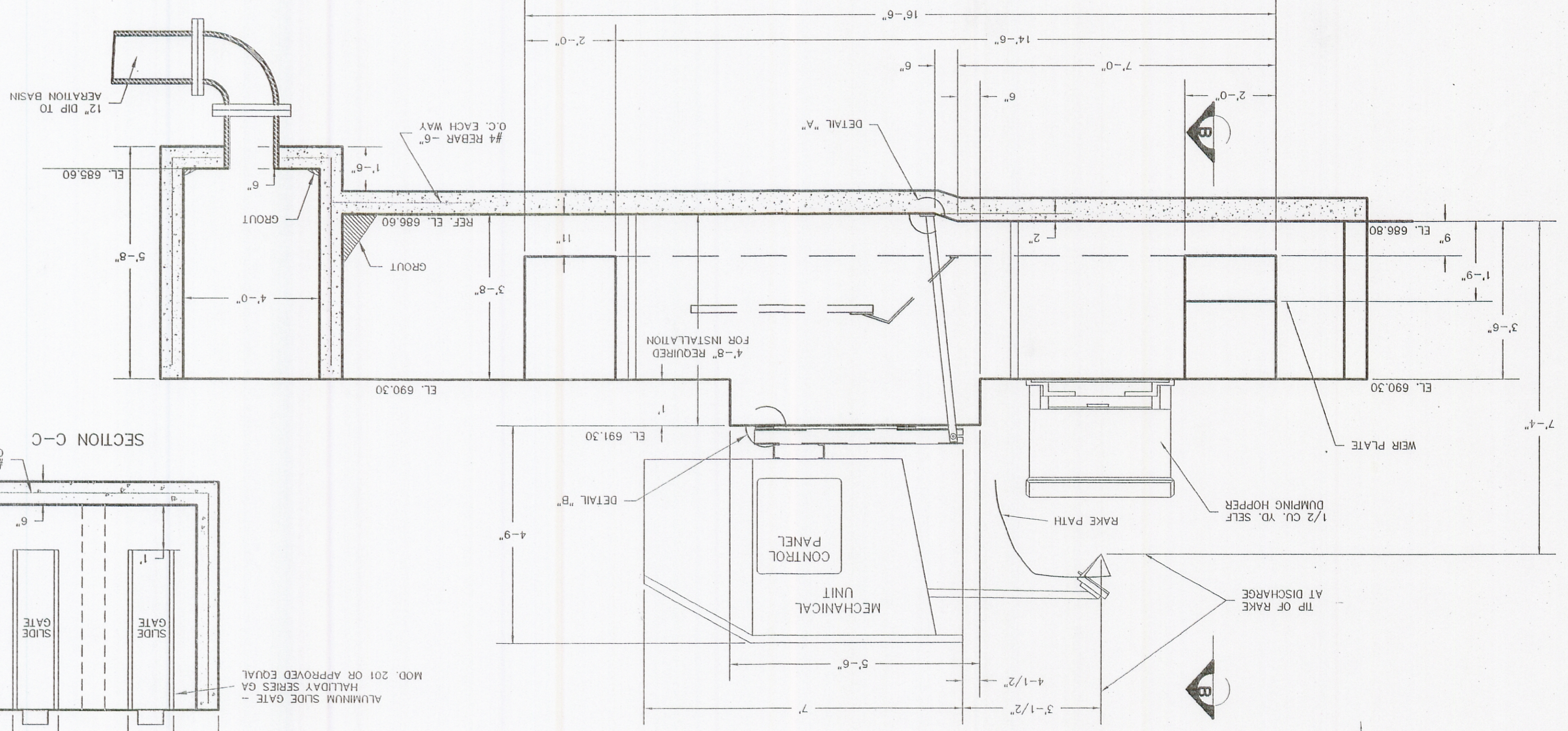


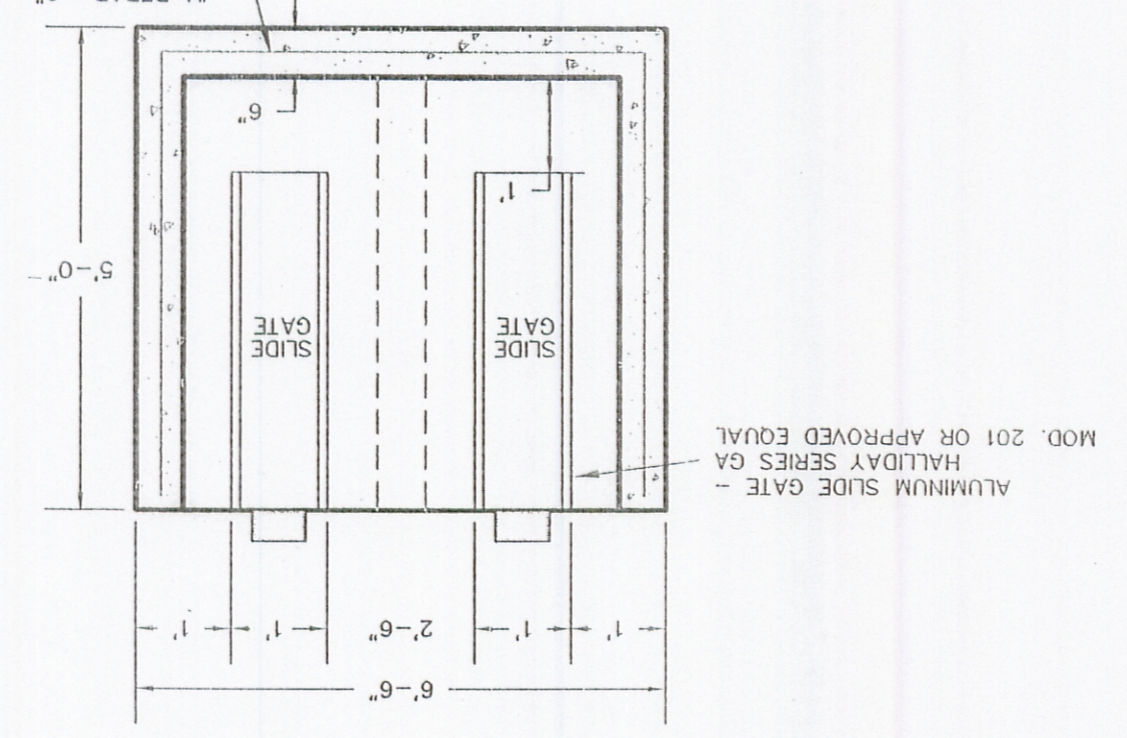
- 1'-3" CHANNEL WIDTH
- 3'-6" (4'-8" @ MECH. UNIT) BAR SPACING (CL TO CL)
- 1" WIDTH OF BARS
- 3/8" BAR THICKNESS
- 3'-0" BAR LENGTH
- DRIVE HORSEPOWER: 3/4 H.P.
- MOTOR FRAME: DT80K4
- MOTOR ENCLOSURE: TFC
- GEAR REDUCER: SF60
- POWER SUPPLY: 230/460/3/60
- CONTAINER: 1/2 YD. SELF DUMPING
- CONTROL PANEL: RIGHT HAND



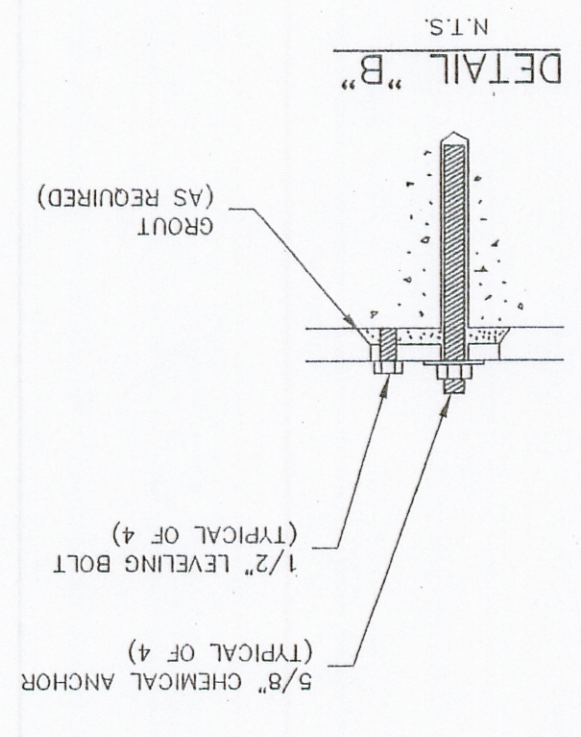
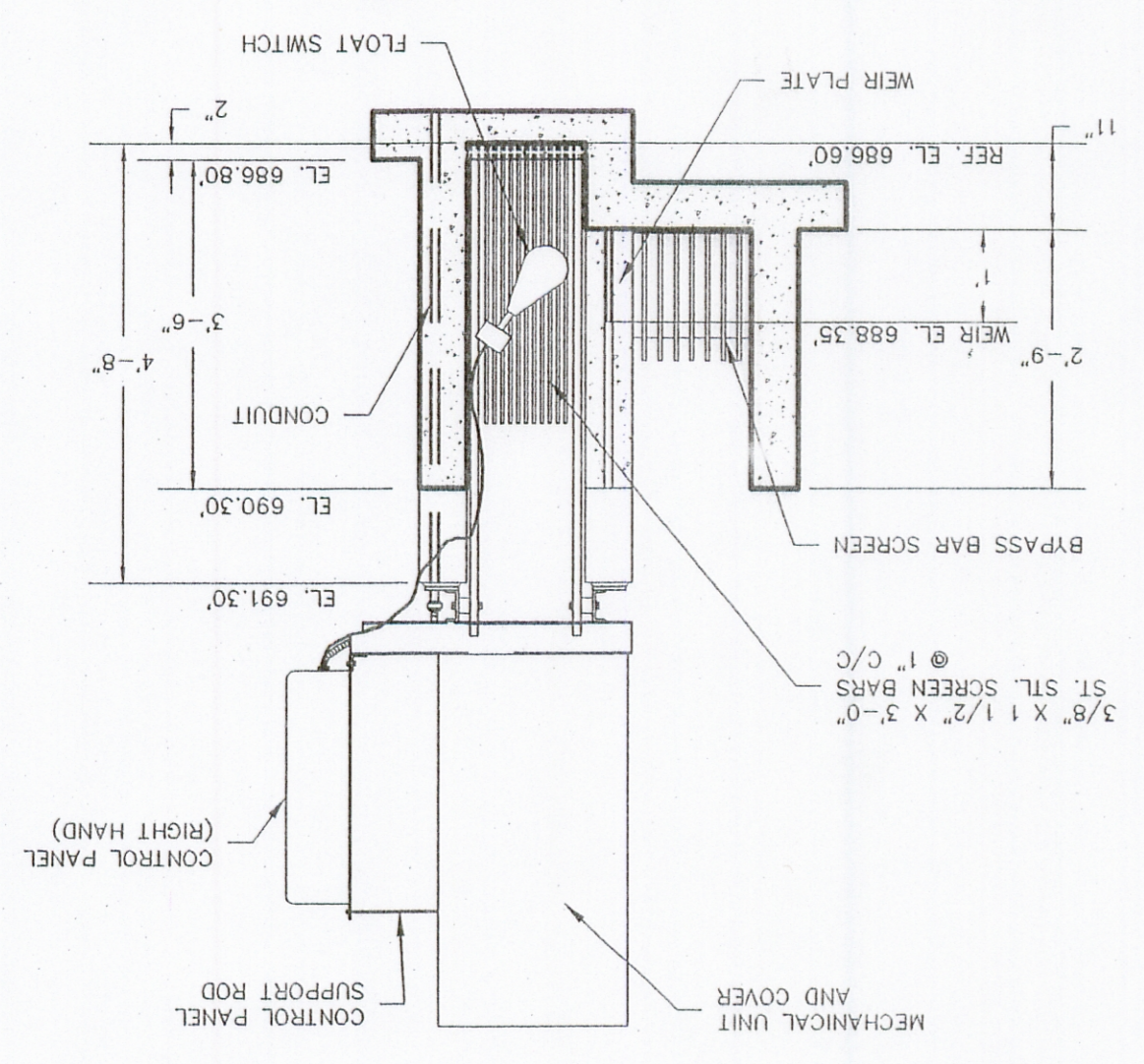
SECTION A-A
SCALE: N.T.S.



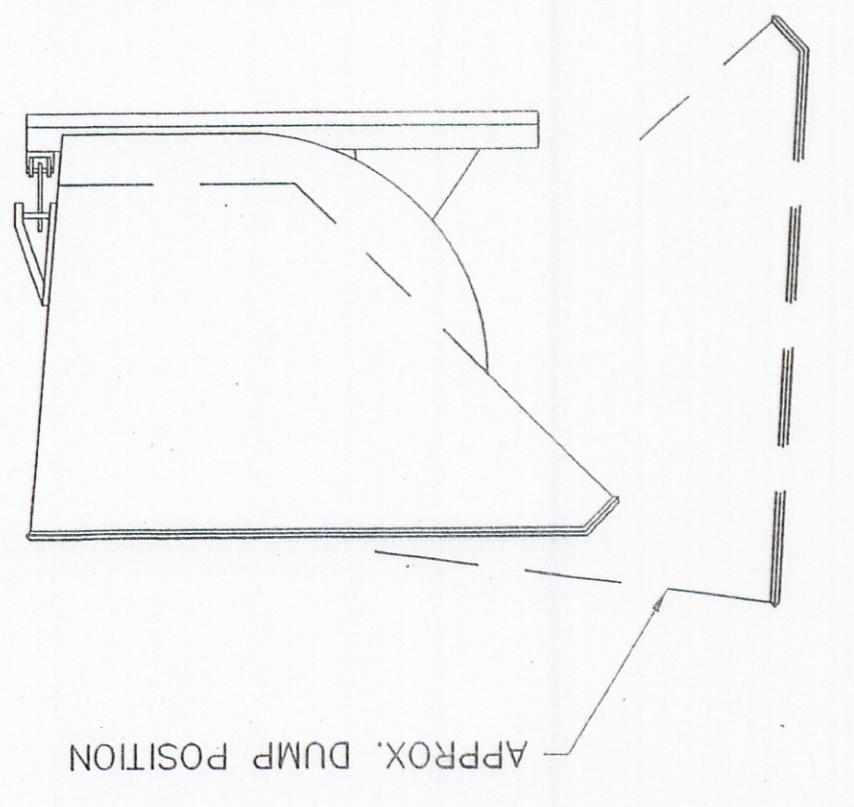
SECTION C-C
SCALE: N.T.S.



SECTION B-B
SCALE: N.T.S.



CONTAINER ELEVATION
N.T.S.



SHEET: 11

BAR SCREEN DETAILS

05-24-2006
Designed by: RGS
Checked by: JCS
Project #: 210367

Survised by:
Field Book:
Drawn by: A.A.
Checked by: JCS

**CAMELOT ESTATES SEWER
DISTRICT OF CAMDEN COUNTY**

CAMDEN COUNTY, MISSOURI

Schultz Engineering Services, Inc.
Civil Engineering - Land Surveying - Materials Testing

Popular Bluff Main Office
Popular Bluff, MO 63901
(P) 573-686-0806
www.schultzengineering.com

Columbia
2415 Center Lane
Columbia, MO 65201
(P) 573-441-9806

Lake of the Ozarks
4581 Parkway
Columbia, MO 65205
(P) 573-302-4506

Revisions: