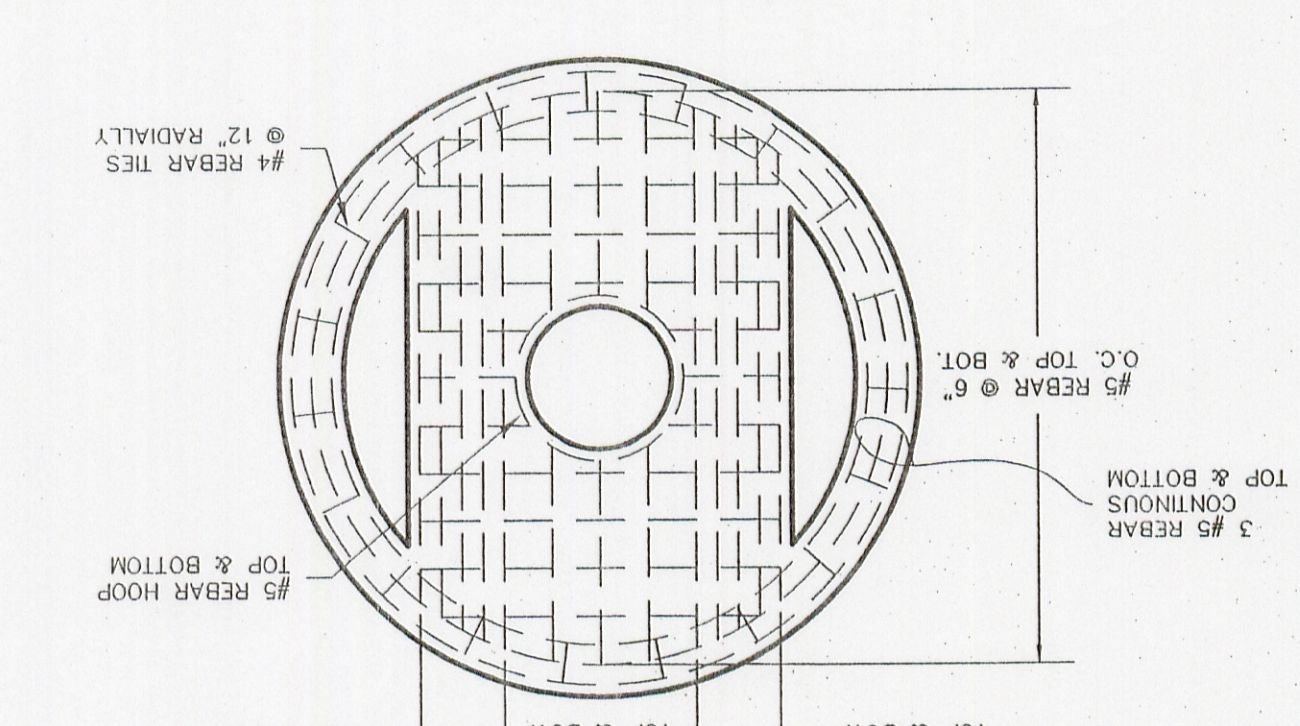
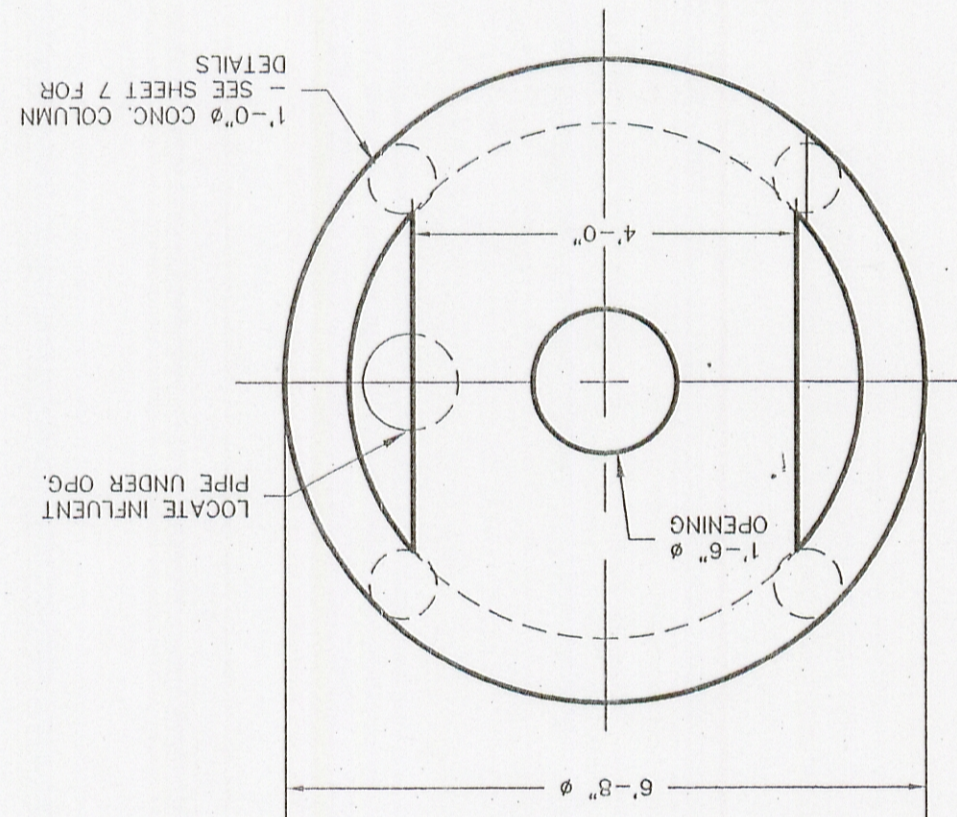


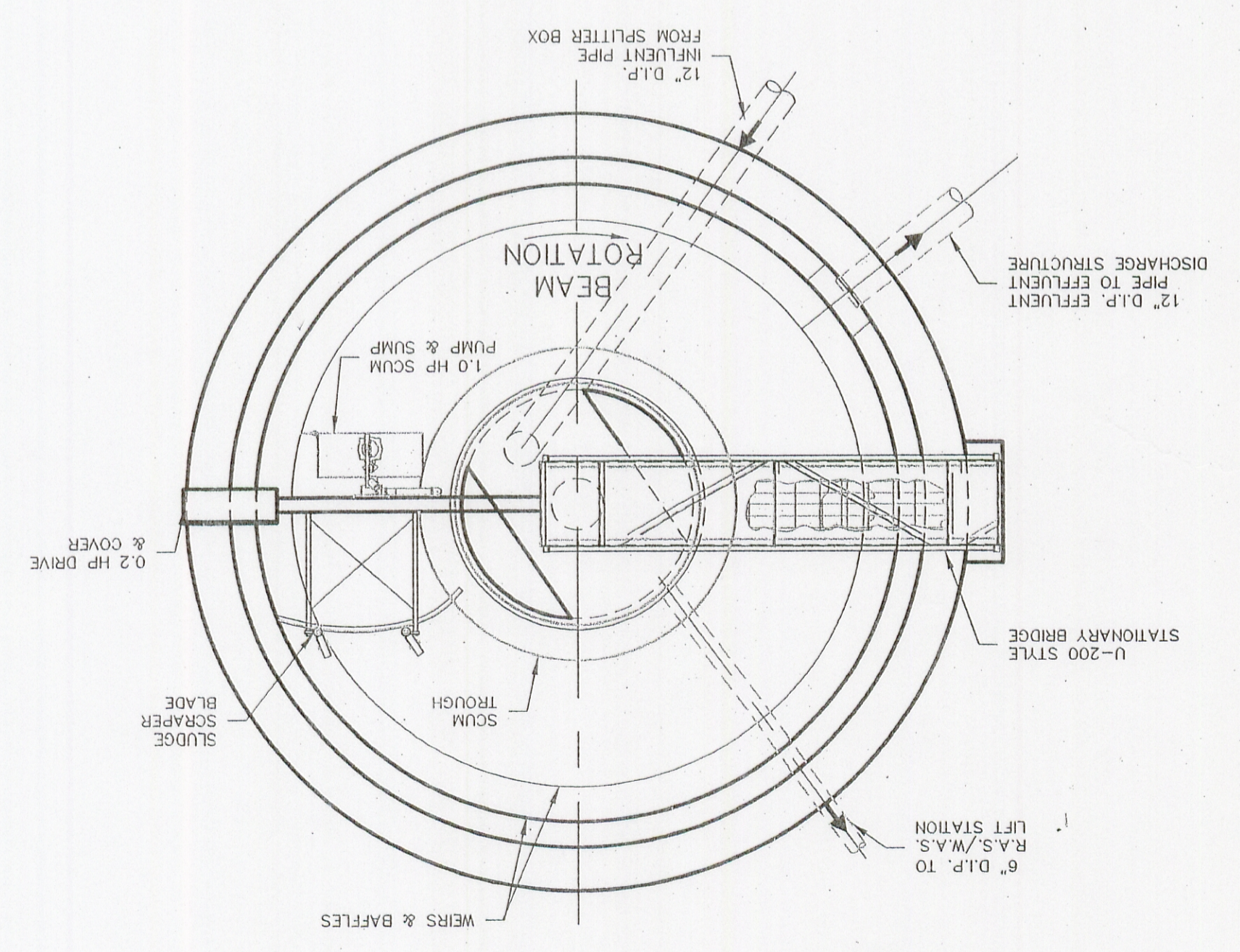
CENTER PIER REINFORCING DETAIL
N.T.S.



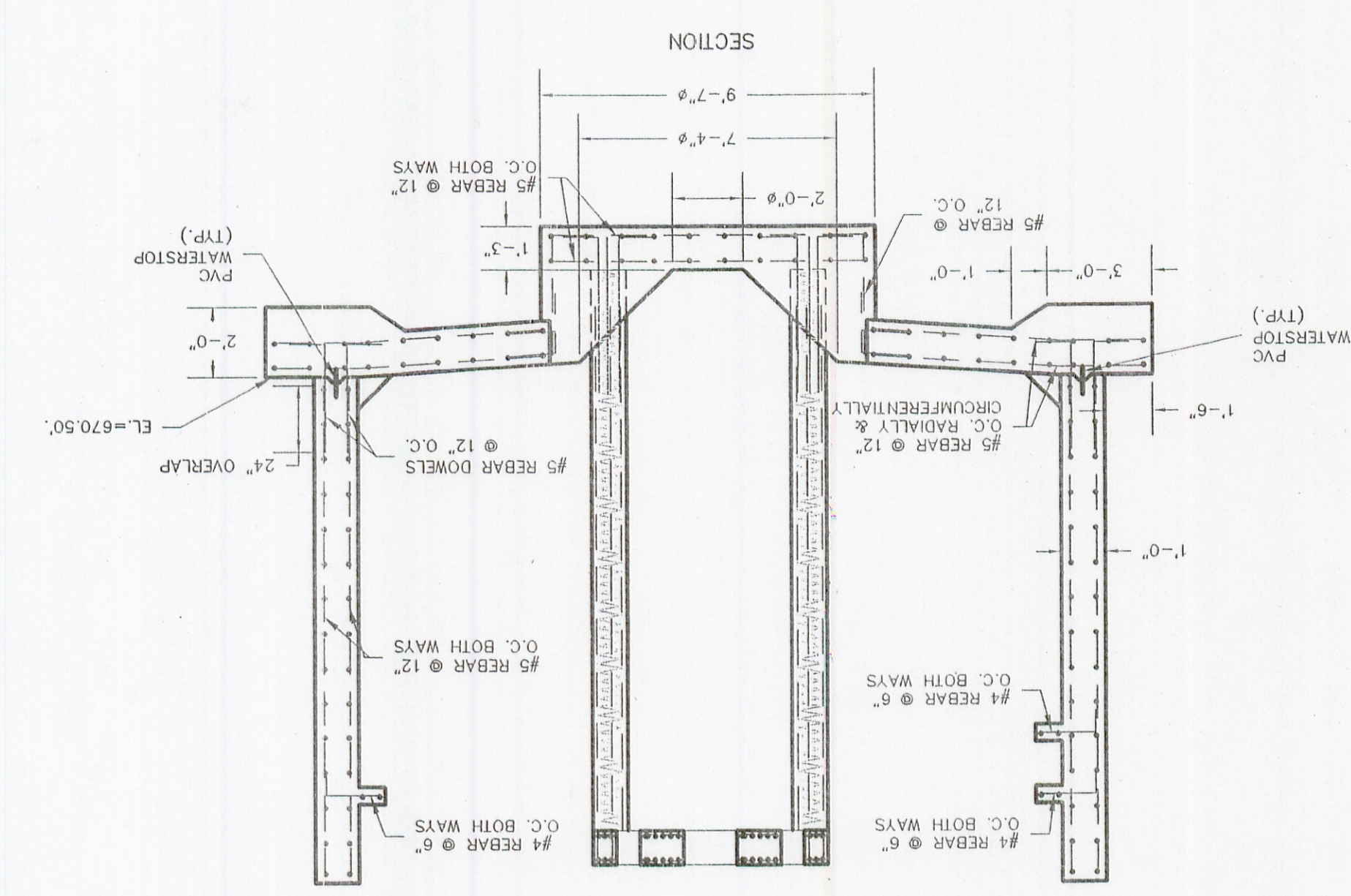
CENTER PIER DETAIL
N.T.S.



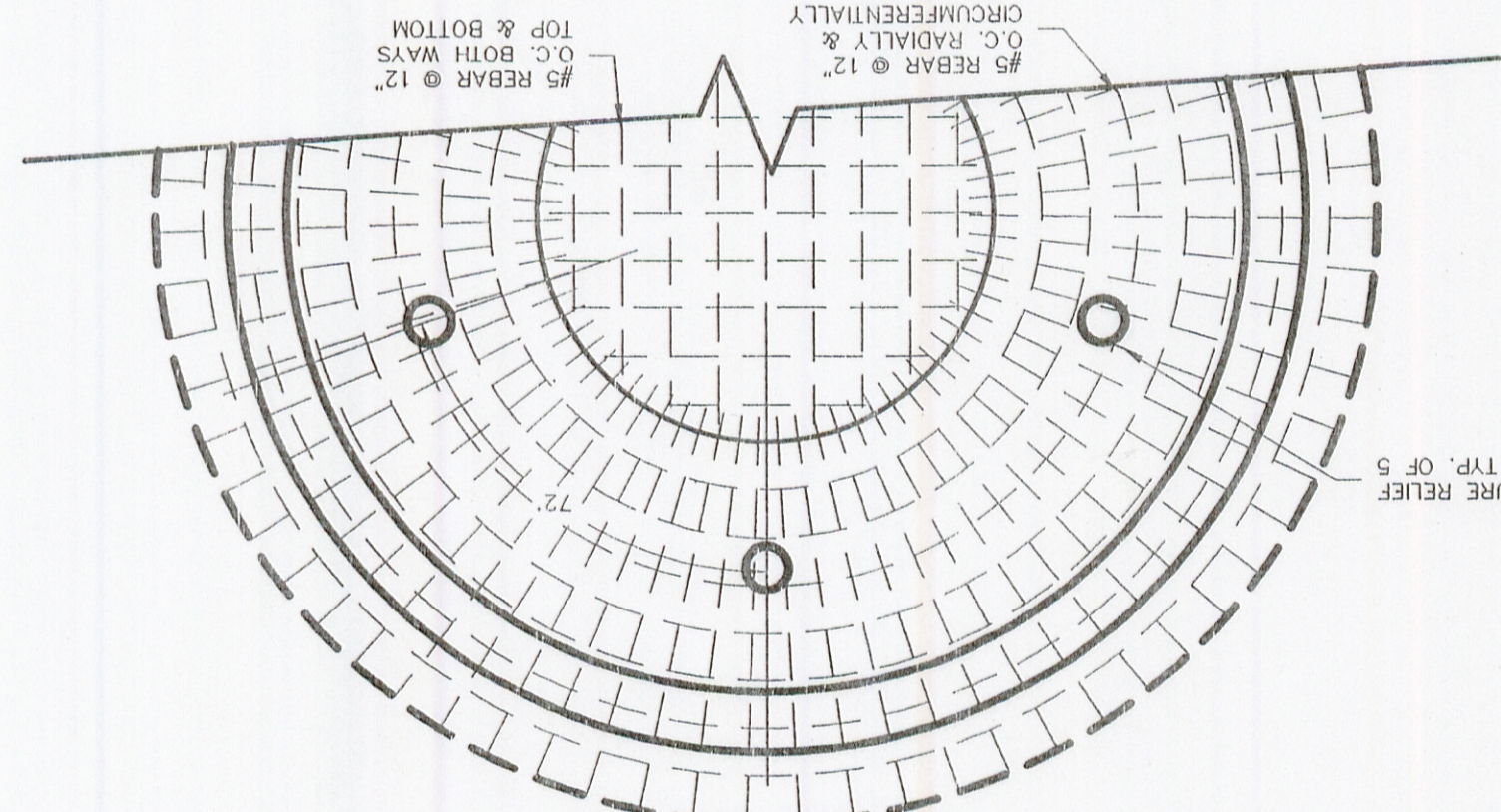
PLAN VIEW - CLARIFIER BASIN
N.T.S.



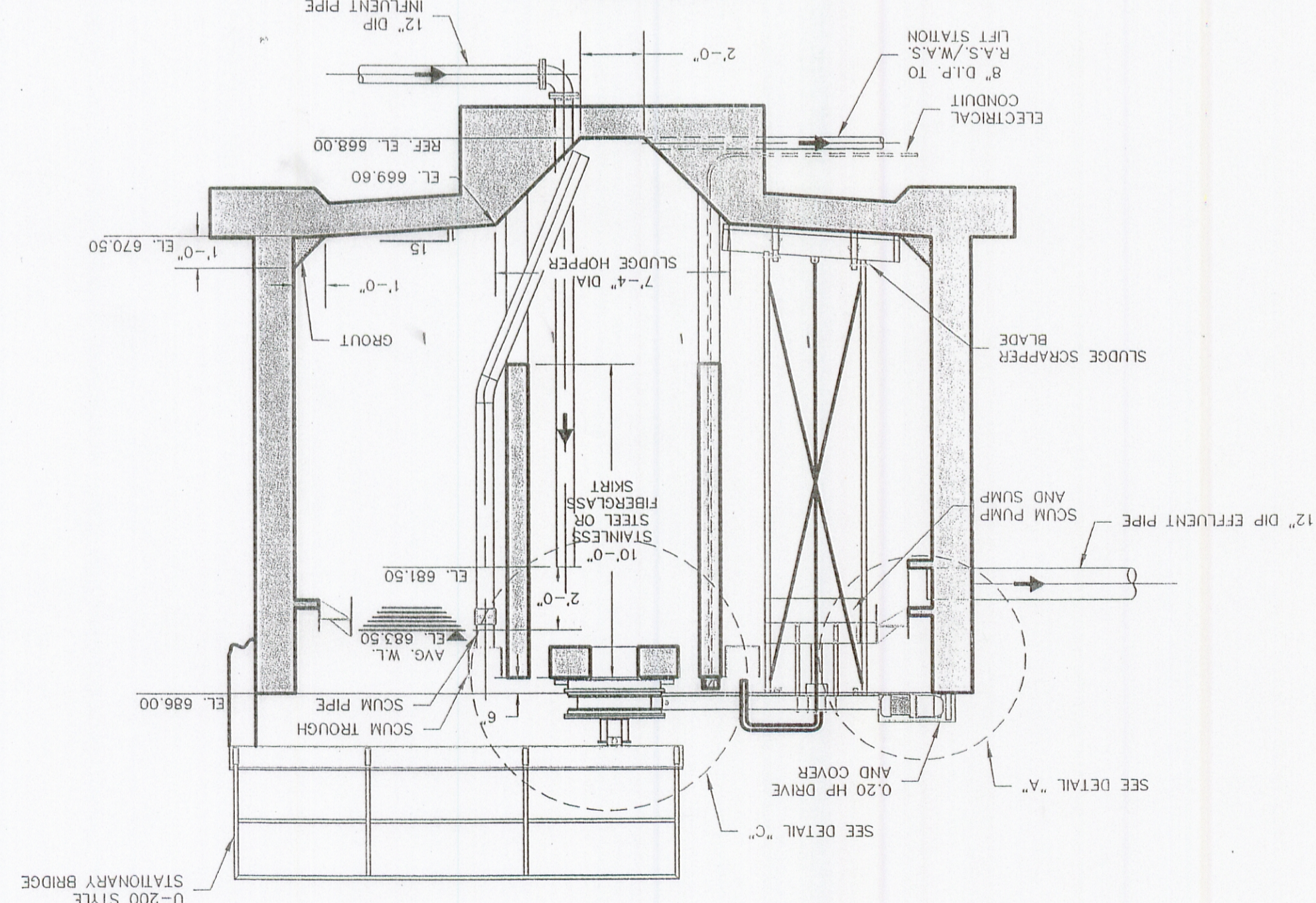
STRUCTURAL DETAIL
N.T.S.



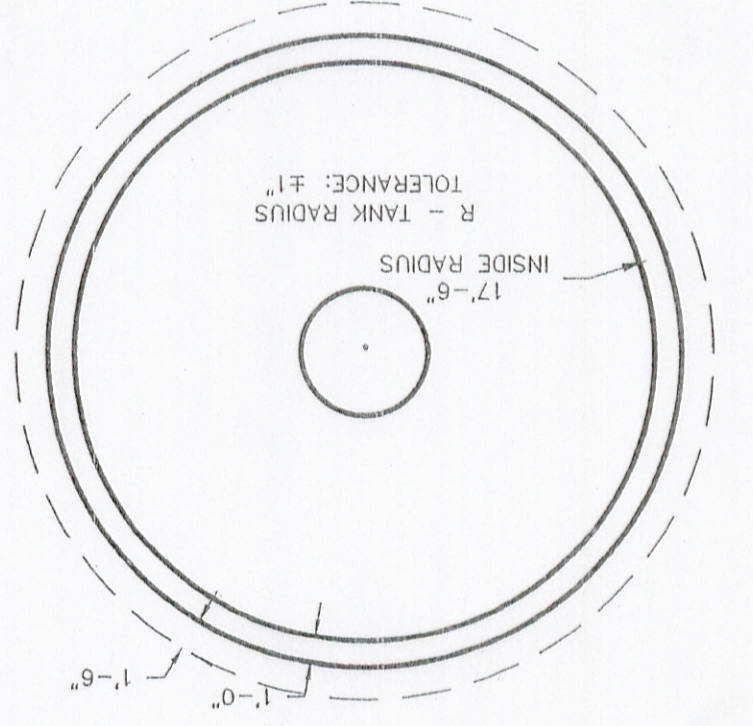
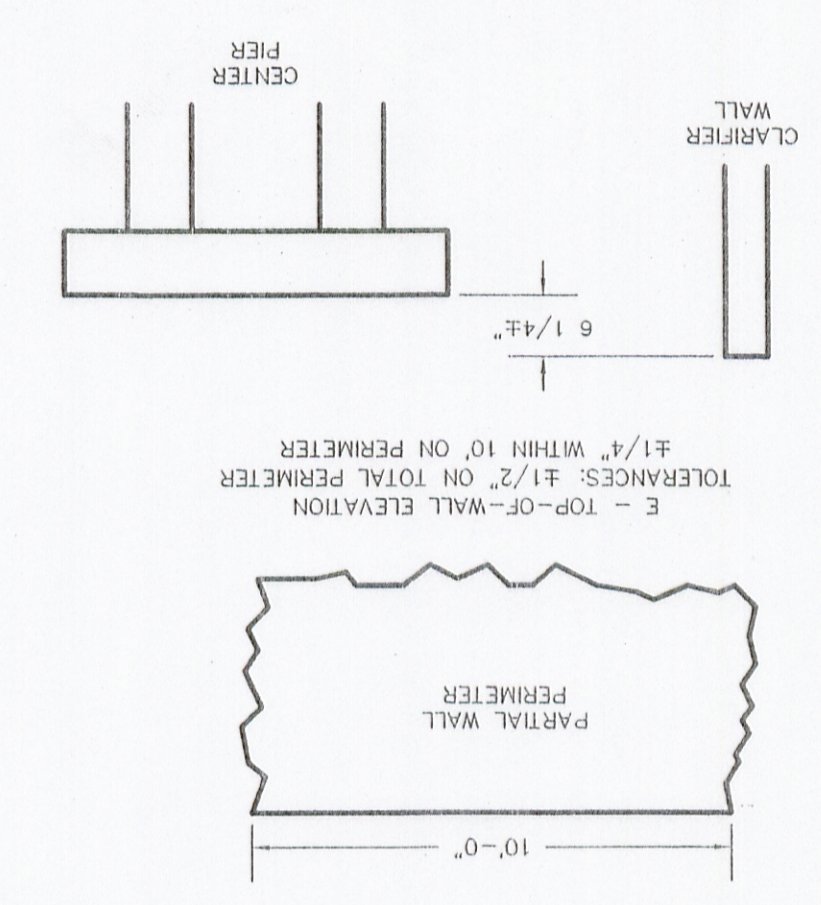
PLAN



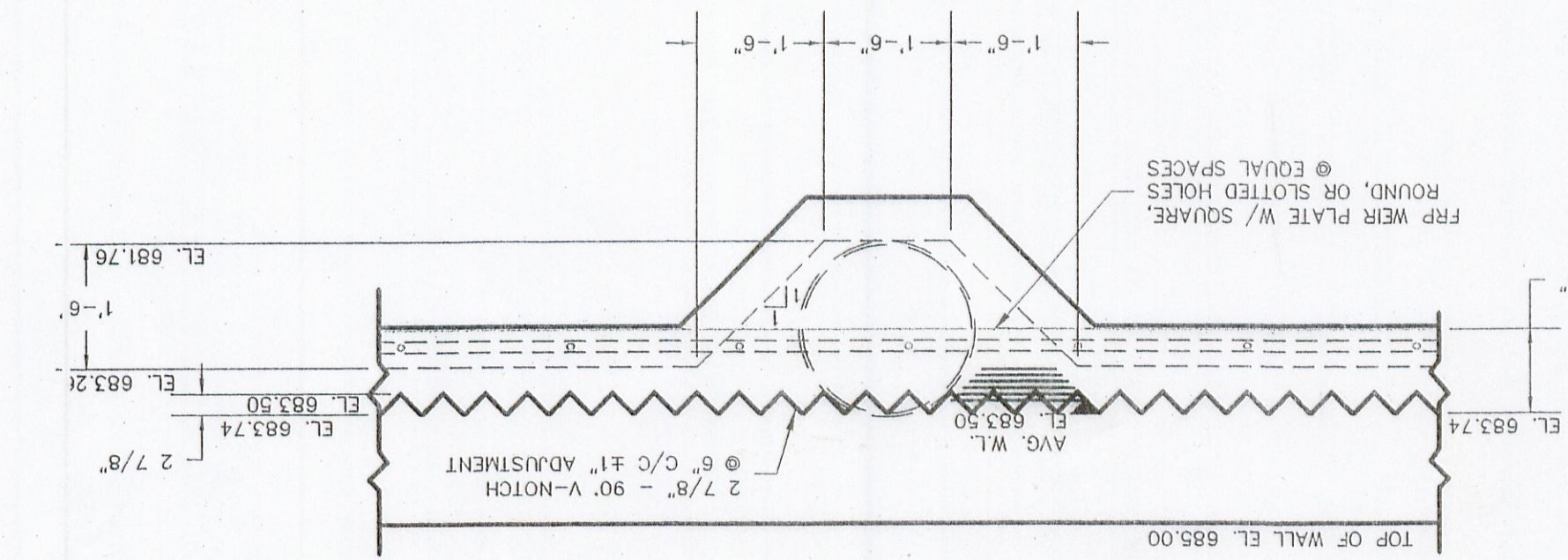
ELEVATION
N.T.S.



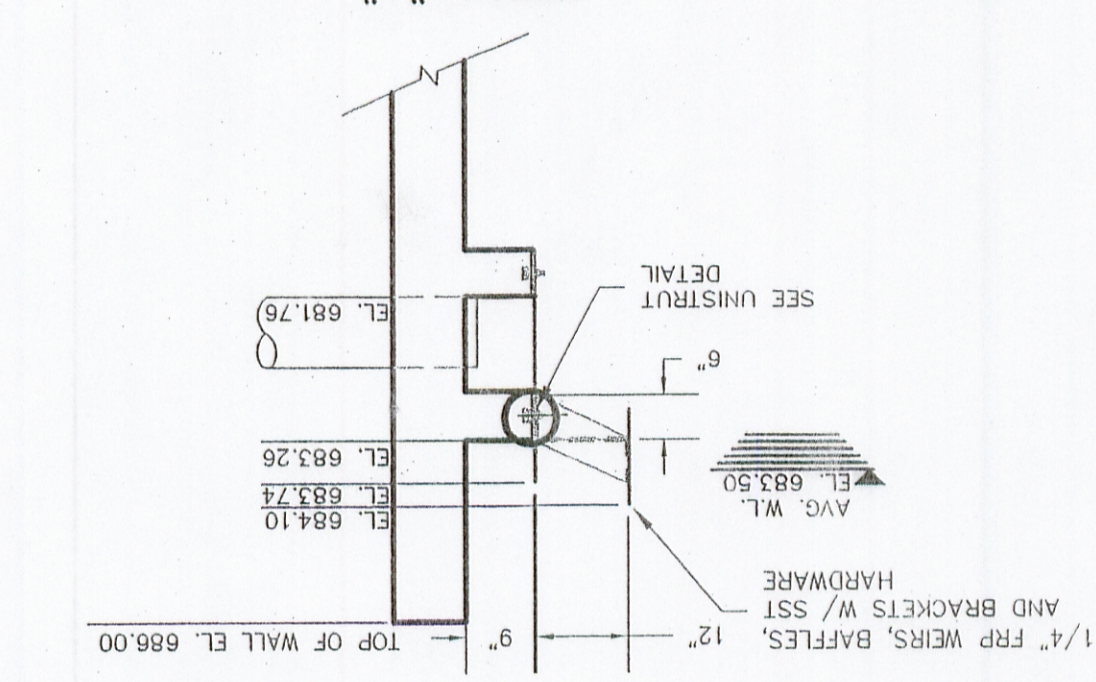
CONSTRUCTION TOLERANCES
N.T.S.



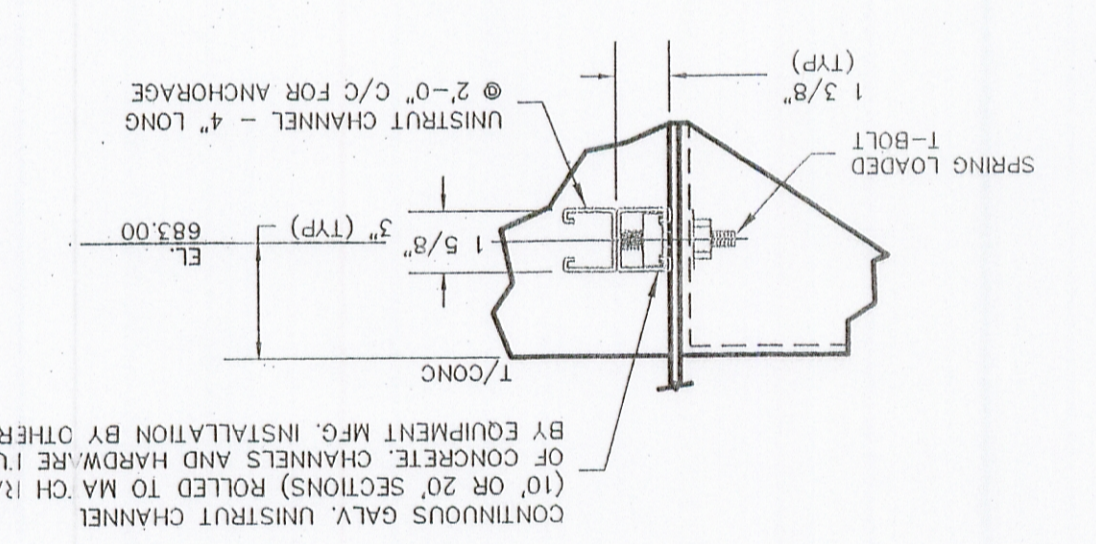
VIEW B-B
N.T.S.



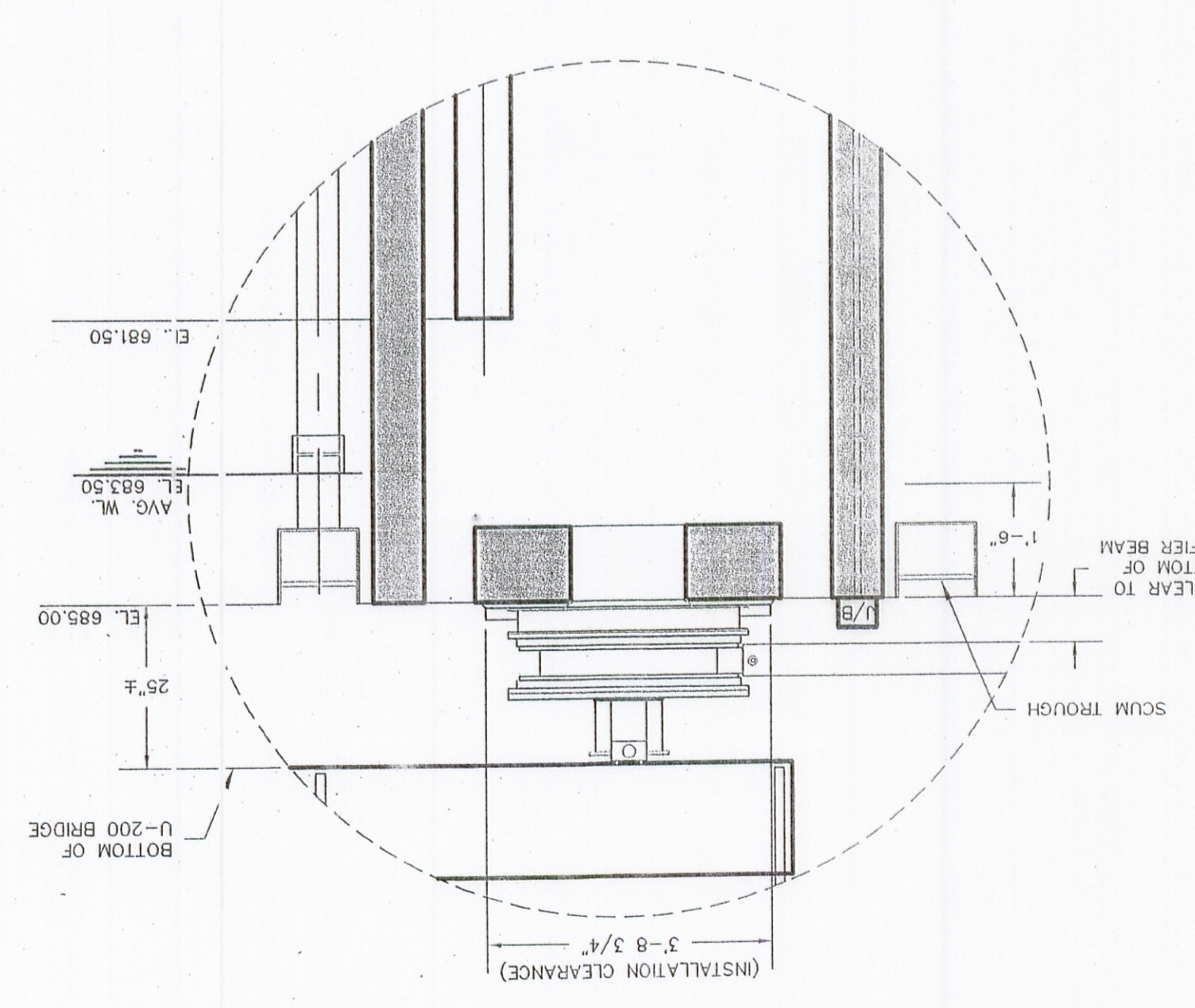
DETAIL "A"
N.T.S.



UNISTRUT CHANNEL DETAIL
N.T.S.



DETAIL "C"
N.T.S.



8 SHEET

CLARIFIERS-PLAN
SECT. & DETAILS

CAMELOT ESTATES SEWER
DISTRICT OF CAMDEN COUNTY
CAMDEN COUNTY, MISSOURI

05-24-2006
Designed by RCS
Checked by RCS
Project # 210387

Surveyed by
Field Book:
Down by A.L.A.
Land Desktop

Popular Bluff Main Office
573-886-0808
www.schultzengineering.com

Columbia
2415 Cedar Lane
Columbia, MO 65201
(P) 573-441-0808

Lake of the Ozarks
6251 Hwy 24
Joniata, MO 65255
(P) 573-302-8008

Revisions:

ROBERT C. SCHUMBER
REGISTERED PROFESSIONAL ENGINEER