

**Schultz Engineering Services, Inc.**  
 Civil Engineering - Land Surveying - Materials Testing

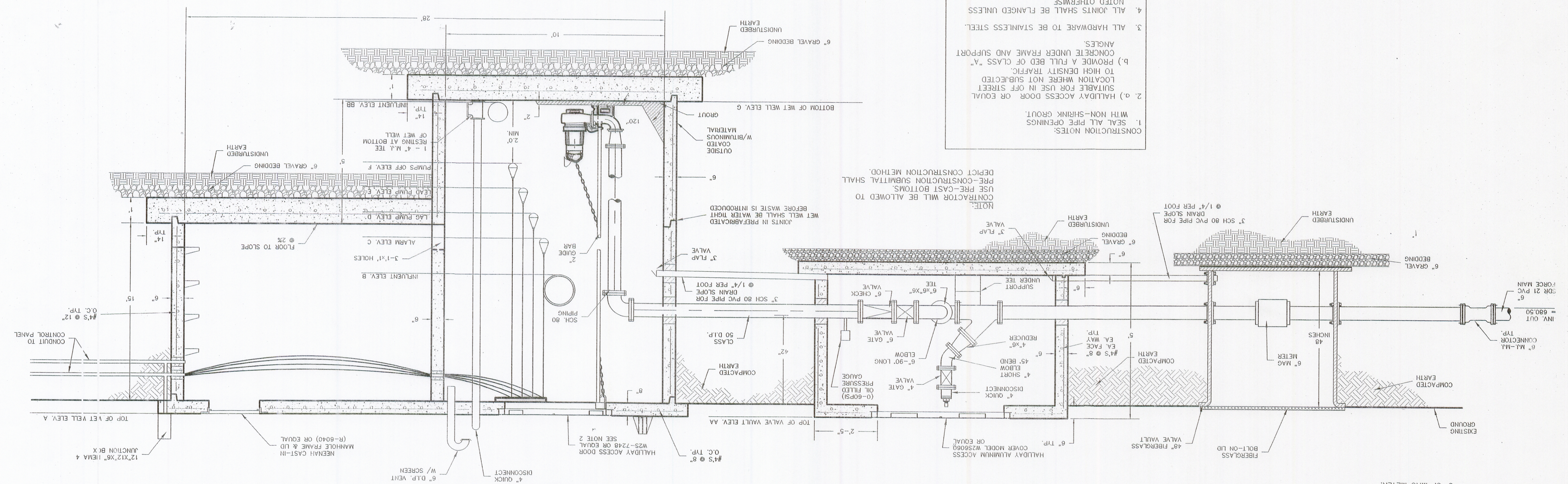
Popular Bluff Main Office  
 4800 Poplar Bluff, MO 63901  
 (P) 573-686-0806  
 www.schultzengineering.com

Columbia  
 2415 Coryn Lane, Columbia, MO 65201  
 (P) 573-441-0906

Revisions: 03-02-2007  
 05-02-2007

Robert C. Schultz  
 Professional Engineer  
 License No. 00000004

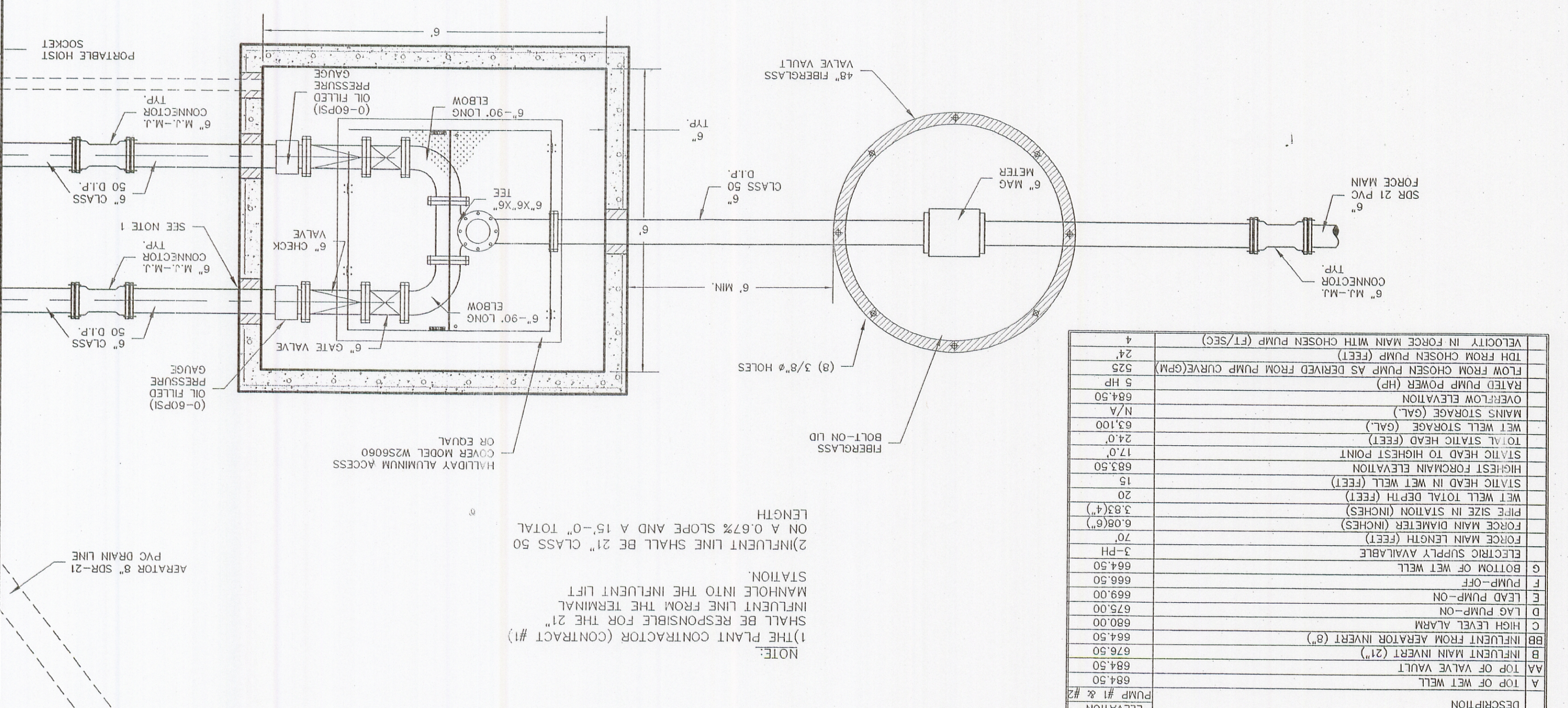
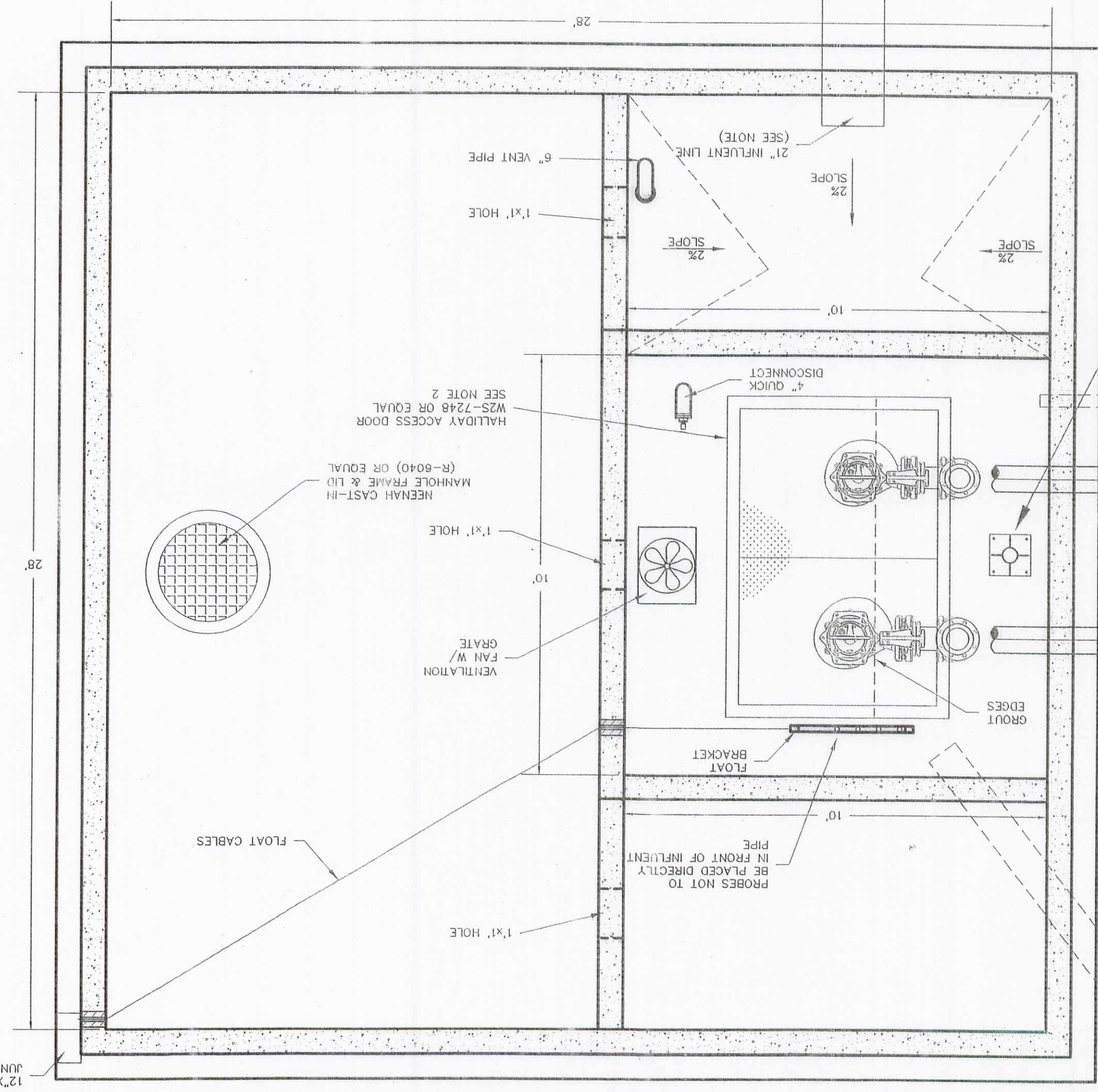
**DUPLEX NON-CLOG PUMP STYLE LIFT STATION/ FLOW EQUALIZATION BASIN**  
 N.T.S.



**CONSTRUCTION NOTES:**  
 1. SEAL ALL PIPE OPENINGS WITH NON-SHRINK GROUT.  
 2. a.) HALLIDAY ACCESS DOOR OR EQUAL LOCATION FOR USE IN OFF STREET TO HIGH DENSITY TRAFFIC. PROVIDE A FULL BED OF CLASS "A" ANGLES.  
 3. ALL HARDWARE TO BE STAINLESS STEEL.  
 4. ALL JOINTS SHALL BE FLANGED UNLESS NOTED OTHERWISE.

**NOTE:**  
 CONTRACTOR WILL BE ALLOWED TO USE PRE-CAST BOTTOMS. PRE-CONSTRUCTION SUBMITTAL SHALL DEPICT CONSTRUCTION METHOD.

**NOTE:**  
 NO BENDS, VALVES, OR OTHER FITTINGS SHALL BE INSTALLED WITHIN 6' OF MAG METER.



**NOTE:**  
 1) THE PLANT CONTRACTOR (CONTACT #1) SHALL BE RESPONSIBLE FOR THE 21\"/>

DESCRIPTION	ELEVATION
A TOP OF WET WELL	684.50
MA TOP OF VALVE VAULT (21")	676.50
B INFLUENT MAIN INVERT (21")	664.50
BB INFLUENT FROM AERATOR INVERT (8")	664.50
C HIGH LEVEL ALARM	690.00
D LAG PUMP-ON	675.00
E LEAD PUMP-ON	669.00
F PUMP-OFF	668.50
G BOTTOM OF WET WELL	664.50
ELECTRIC SUPPLY AVAILABLE	3'-PH
FORCE MAIN LENGTH (FEET)	70'
FORCE MAIN DIAMETER (INCHES)	6.0(8")
FORCE MAIN LENGTH (INCHES)	3.93(4')
PIPE SIZE IN STATION (INCHES)	20
STATIC HEAD IN WET WELL (FEET)	17.0'
HIGHEST FOREMAN ELEVATION	683.50
STATIC HEAD TO HIGHEST POINT	24.0'
TOTAL STATIC HEAD (FEET)	63.100
WET WELL STORAGE (GAL.)	N/A
MANRE STORAGE (GAL.)	5 HP
RAISED PUMP POWER (HP)	525
FLOW FROM CHOSEN PUMP AS DERIVED FROM PUMP CURVE(GPM)	24'
TOP FROM CHOSEN PUMP (FEET)	4
VELOCITY IN FORCE MAIN WITH CHOSEN PUMP (FT/SEC)	