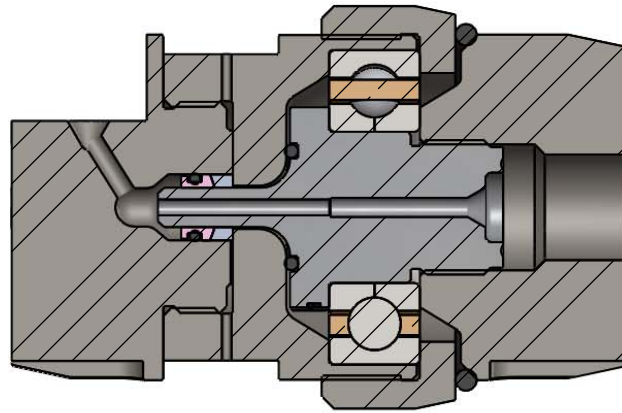
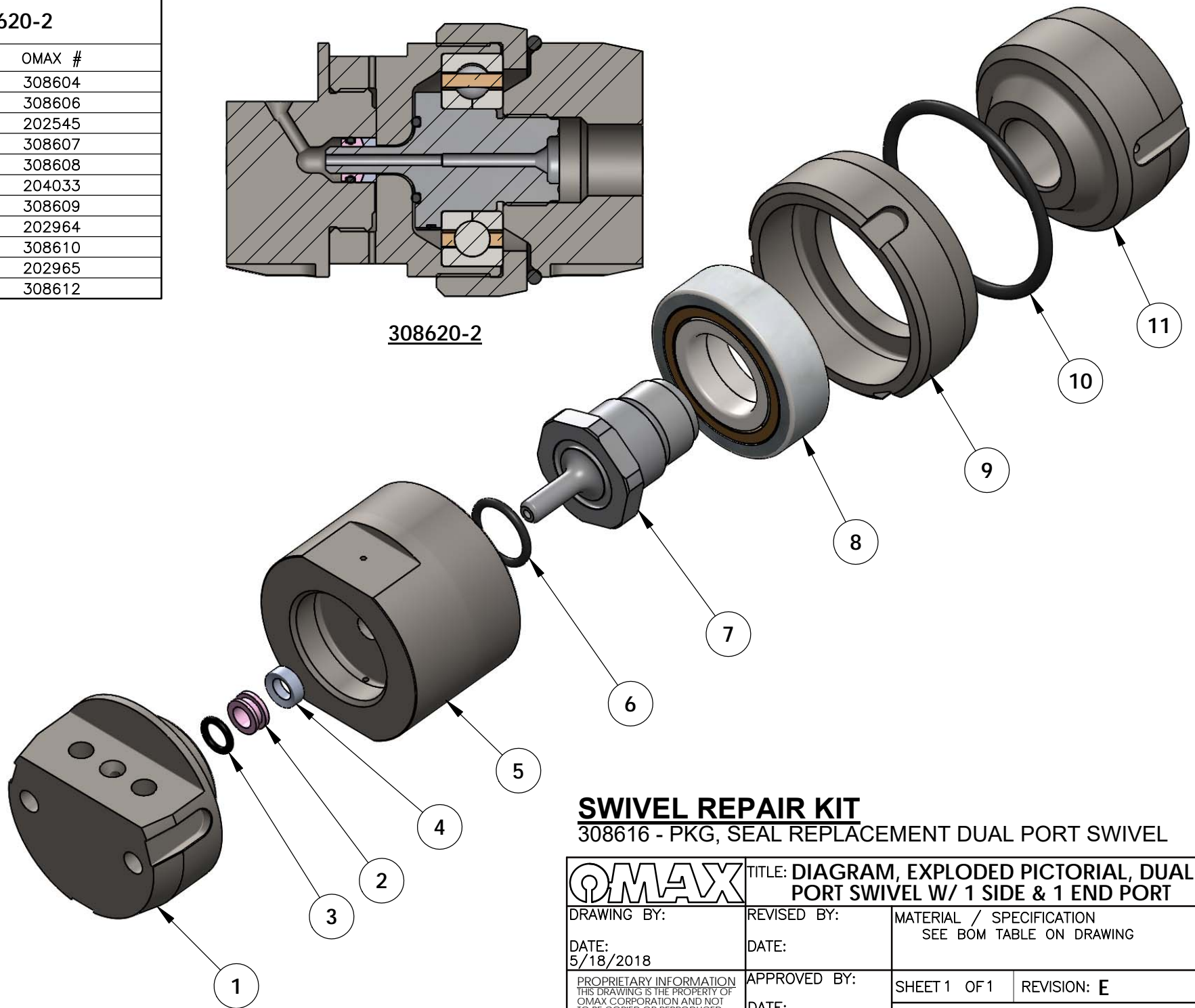


308620-2

#	OMAX #
1	308604
2	308606
3	202545
4	308607
5	308608
6	204033
7	308609
8	202964
9	308610
10	202965
11	308612



308620-2



**SWIVEL REPAIR KIT**

308616 - PKG, SEAL REPLACEMENT DUAL PORT SWIVEL



TITLE: **DIAGRAM, EXPLODED PICTORIAL, DUAL PORT SWIVEL W/ 1 SIDE & 1 END PORT**

DRAWING BY:  
DATE: 5/18/2018

REVISED BY:  
DATE:

MATERIAL / SPECIFICATION  
SEE BOM TABLE ON DRAWING

PROPRIETARY INFORMATION  
THIS DRAWING IS THE PROPERTY OF  
OMAX CORPORATION AND NOT  
TO BE COPIED OR REPRODUCED  
WITHOUT THE WRITTEN CONSENT OF  
OMAX CORPORATION.

APPROVED BY:  
DATE: 07/06/2018

SHEET 1 OF 1 REVISION: **E**  
DWG # **400700-2**

07/06/2018 4:37:52 PM