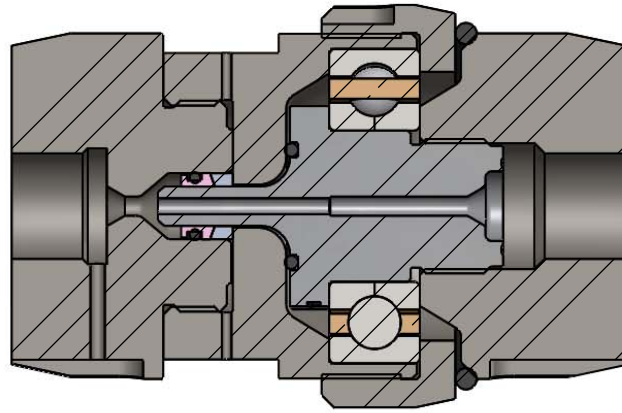
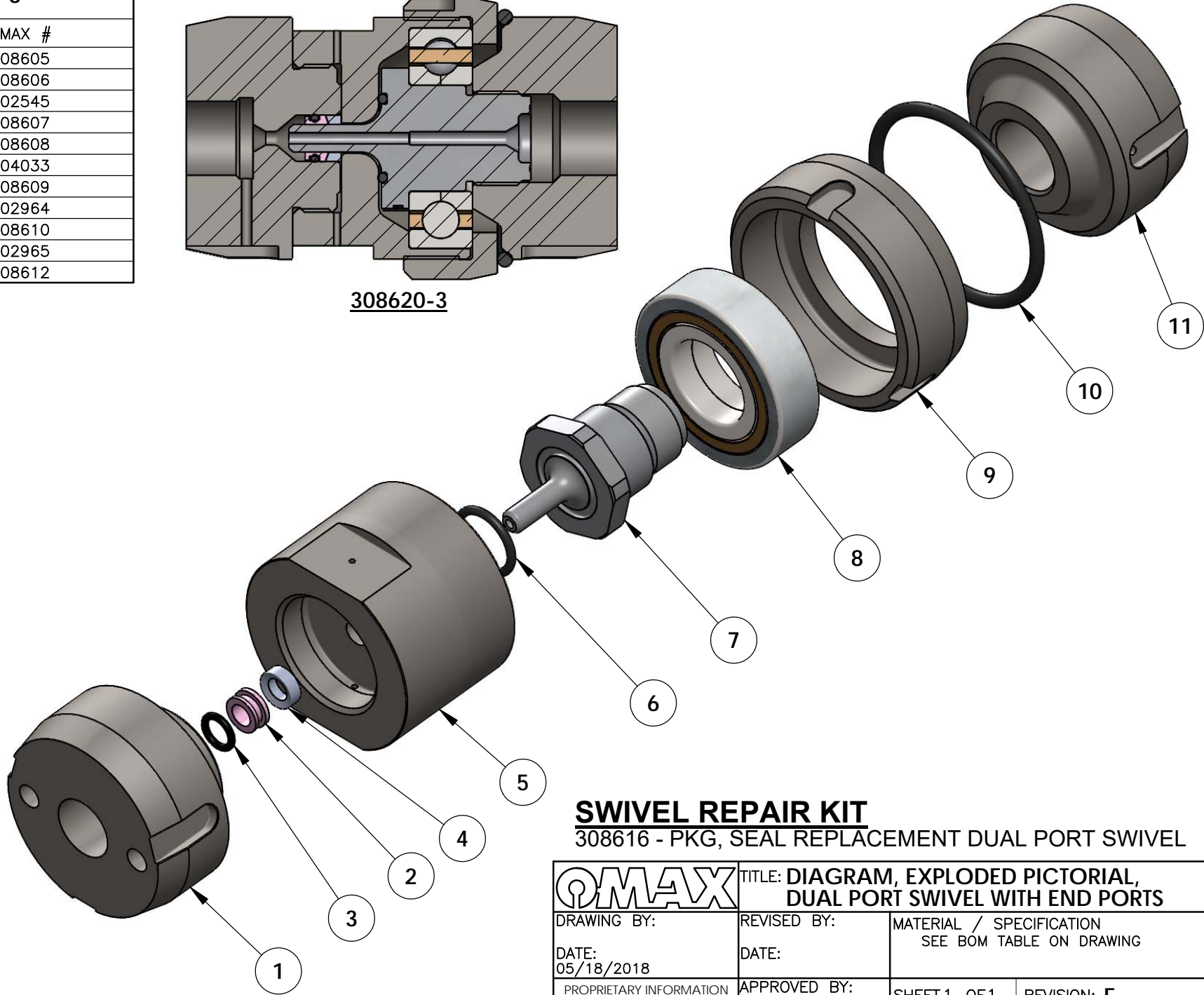


308620-3

| # | OMAX # |
|----|--------|
| 1 | 308605 |
| 2 | 308606 |
| 3 | 202545 |
| 4 | 308607 |
| 5 | 308608 |
| 6 | 204033 |
| 7 | 308609 |
| 8 | 202964 |
| 9 | 308610 |
| 10 | 202965 |
| 11 | 308612 |



308620-3



SWIVEL REPAIR KIT

308616 - PKG, SEAL REPLACEMENT DUAL PORT SWIVEL



TITLE: **DIAGRAM, EXPLODED PICTORIAL, DUAL PORT SWIVEL WITH END PORTS**

DRAWING BY:
DATE: 05/18/2018

REVISED BY:
DATE:

MATERIAL / SPECIFICATION
SEE BOM TABLE ON DRAWING

PROPRIETARY INFORMATION
THIS DRAWING IS THE PROPERTY OF
OMAX CORPORATION AND NOT
TO BE COPIED OR REPRODUCED
WITHOUT THE WRITTEN CONSENT OF
OMAX CORPORATION.

APPROVED BY:
DATE: 07/06/2018

SHEET 1 OF 1 REVISION: **E**
DWG # **400700-3**

07/06/2018 4:37:52 PM