



PARTS MANUAL

MODEL: C-916

SERIAL NO: 438-83101 to 438-882157

BAND SAWING MACHINE

MACHINE SPECIFICATIONS

MODEL SERIAL NO.

VOLTAGE CYCLE PHASE

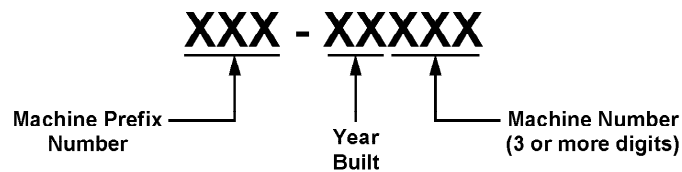
For your information and future reference, insert pertinent data concerning your machine in the spaces provided above. This information is stamped on the data plate attached to the machine frame.

Always specify model and serial numbers on all parts orders and correspondence concerning your machine. This will help avoid unnecessary delays and inconvenience during processing.

The specifications contained herein were in effect at the time this manual was approved for printing. The DoALL Company, whose policy is one of continuous product improvement, reserves the right, however, to change specifications or design at any time without notice and without incurring obligations.

How to read your serial number:

Example: 500-001234



YOUR SERVICE REPRESENTATIVE:

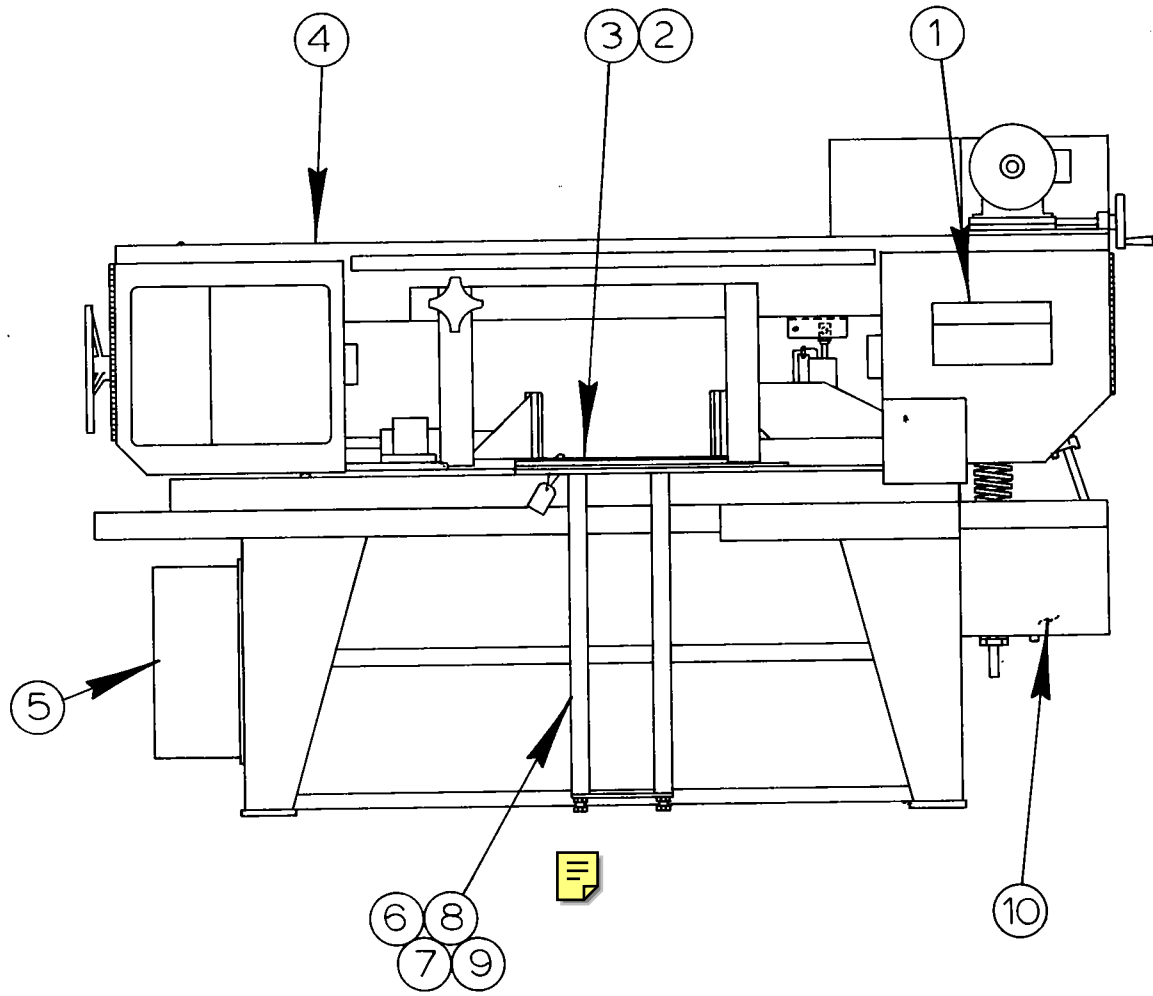
INDEX A-2

FICHE NO. E-71 CLASS Power Saw MODEL C-916 SERIAL NO. 438-83101 TO 438-882157

| PAGE NO. | DESCRIPTION | FIRST SERIAL | LAST SERIAL | FRAME NO. | | FICHE NO. |
|----------|--|-------------------------|-------------------------|-----------|---------|-----------|
| | | | | DWG. | P. LIST | |
| PS-1-77 | Final Assembly | 1 of 2 | 438-83101 to 438-85863 | A-3 | A-4 | |
| PS-1-78 | Final Assembly | 2 of 2 | 438-83101 to 438-85863 | A-5 | A-6 | |
| PS-1-83 | Final Assembly | | 438-85864 to 438-882157 | A-7 | A-8 | |
| PS-2-64 | Band Tension Handwheel Assembly | All | | C-5 | C-6 | |
| PS-2-64 | Bandwheel Assemblies | All | | C-5 | C-6 | |
| PS-2-60 | Chip Brush Assembly (Powered) | All | | A-9 | A-10 | |
| PS-8-123 | Control Box Assembly | 438-84104 to 438-882157 | | A-11 | A-12 | |
| PS-8-123 | Control Panel Assembly (Relay) | 438-84104 to 438-882157 | | A-11 | A-12 | |
| PS-7-215 | Control Valve Assembly (Metering & Shut-Off Valve) | 438-85864 to 438-882157 | | C-11 | C-12 | |
| PS-10-36 | *Conveyor Assembly (5 Ft. Idler) | All | | B-1 | B-2 | |
| PS-10-37 | *Conveyor Assembly (10 Ft. Idler) | All | | B-3 | B-4 | |
| PS-6-31 | Coolant Assembly | All | | B-5 | B-6 | |
| PS-4-10 | Drive Assembly | All | | B-9 | B-10 | |
| PS-8-91 | Electrical Assembly | 438-83101 to 438-84103 | | B-13 | B-14 | |
| PS-8-112 | Electrical Assembly | 438-84104 to 438-882157 | | C-1 | C-2 | |
| PS-4-10 | Handwheel Assembly (Band Speed Adjustment) | All | | B-9 | B-10 | |
| PS-2-64 | Head Assembly | All | | C-5 | C-6 | |
| PS-1-78 | Head Holder Assembly | 438-83101 to 438-85863 | | A-5 | A-6 | |
| PS-7-187 | Head Feed Cylinder Assembly | 438-83101 to 438-85863 | | C-9 | C-10 | |
| PS-7-215 | Head Feed Cylinder and Control Valve Assembly | 438-85864 to | | C-11 | C-12 | |
| PS-1-78 | Job Selector | 438-83101 to 438-85863 | | A-5 | A-6 | |
| PS-1-83 | Job Selector | 438-85864 to 438-882157 | | A-7 | A-8 | |
| PS-8-112 | *Lamp Assembly | 438-84104 to 438-882157 | | C-1 | C-2 | |
| PS-10-50 | *Pneumatic Head Lift Cylinder Assembly | All | | D-1 | D-2 | |
| PS-3-133 | Receiving Tray Assembly | All | | D-3 | D-4 | |
| PS-5-24 | Saw Guide Arm Assembly | All | | D-5 | D-6 | |
| PS-3-133 | *Stock Stand Assembly | All | | D-3 | D-4 | |
| PS-3-114 | Vise Jaw Assembly (Fixed) | 438-83101 to 438-85223 | | D-9 | D-10 | |
| PS-3-135 | Vise Jaw Assembly (Swivel) | 438-83101 to 438-85783 | | D-11 | D-12 | |
| PS-3-123 | Vise Jaw Assembly (Swivel) | 438-85784 to 438-882157 | | D-13 | D-14 | |
| PS-9-186 | *Workstop Assembly | All | | E-3 | E-4 | |

* Denotes Attachment or Assemblies of Attachments or Optional Equipment

| |
|----------------------------|
| NEW DRG. S.C.L. 8-11-83 |
| REVISIONS |
| S.C.L. 8-21-84 |
| S.C.L. 8-13-86 |
| |
| |



| | | |
|--------------|--------------------|-------------------|
| <u>MODEL</u> | <u>FIRST MACH.</u> | <u>LAST MACH.</u> |
| C-916 | 438-83101 | 438-85863 |

FINAL ASSEMBLY
(1 OF 2)

PS - 1 - 77

PRINTED IN U. S. A.

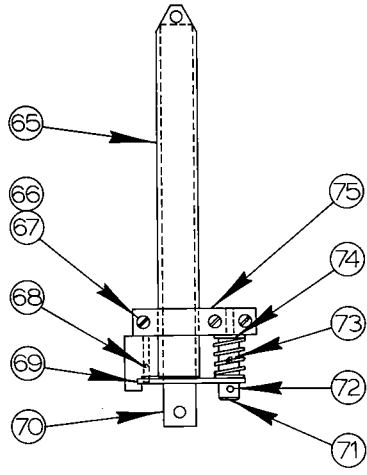
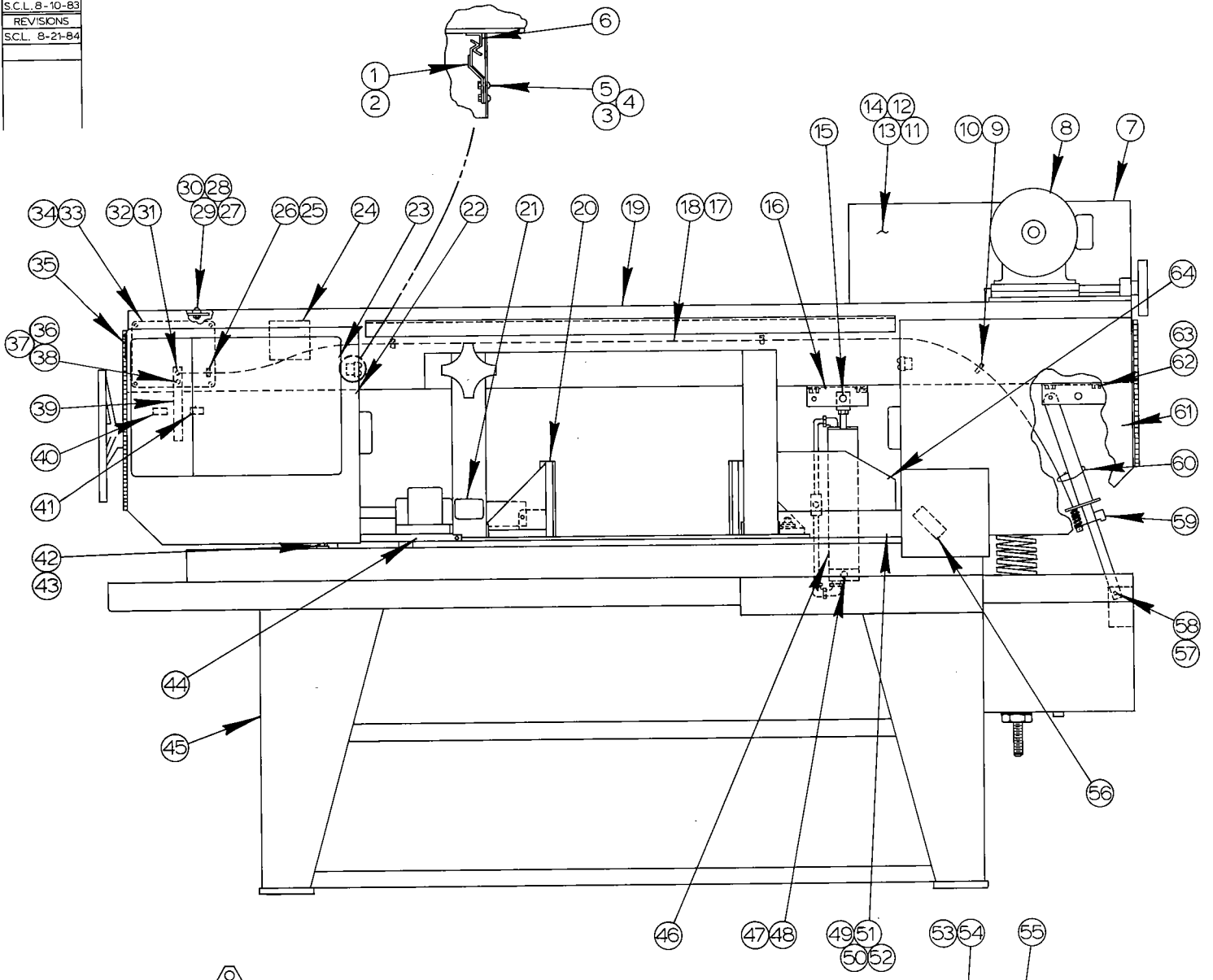
FINAL ASSEMBLY

| INDEX NO. | PART NO. | DESCRIPTION | UNITS PER ASS'Y |
|-----------|------------|--|-----------------|
| Ref. | 190049 | Final Assembly | |
| 1 | 094-044780 | . Escutcheon (Warning)..... | 1 |
| 2 | 091-715300 | . Saw Band (Imperial Bi-Metal Super Silencer)..... | 1 |
| 3 | 093-045250 | . Saw Band Tag..... | 1 |
| 4 | 095-130167 | . Final Assembly (2 of 2) (See Detail)..... | 1 |
| 5 | 095-117206 | . Electrical Assembly (See Detail)..... | 1 |
| 6 | 085-113405 | . Receiving Tray Assembly (Swivel Vise)..... | 1 |
| 7 | 091-987685 | . Screw, Flat Hd. Mach. 5/16-18NC x 3/4..... | 3 |
| 8 | 091-993238 | . Washer, Lock 5/16 Std..... | 3 |
| 9 | 091-991224 | . Nut, Hex. 5/16-18NC..... | 3 |
| 10 | 093-126423 | . Coolant Assembly (See Detail)..... | 1 |

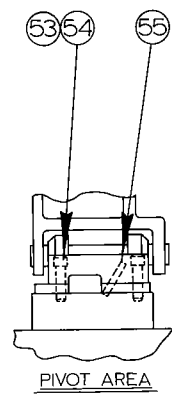
FOLLOWING NOT SHOWN:

| | | |
|------------|--|---|
| 071-588198 | . Instruction Manual..... | 1 |
| 071-588206 | . Parts Manual..... | 1 |
| 071-708271 | . Field Alignment and Adjustment Summary..... | 1 |
| 093-125847 | . Shipping Bracket..... | 1 |
| 091-980060 | . Screw, Hex. Hd. Cap 1/4-20NC x 1/2..... | 4 |
| 091-993212 | . Washer, Lock 1/4 Std..... | 4 |
| 094-068723 | . Instruction Tag..... | 1 |
| 091-980078 | . Screw, Hex. Hd. Cap 1/4-20NC x 5/8..... | 2 |
| 091-991158 | . Nut, Hex. 1/4-20NC..... | 2 |
| 091-448175 | . DoAll Cutting Fluid..... | 1 |
| 090-124207 | . Foot Casting..... | 4 |
| 091-114926 | . Screw, Soc. Set 5/8-11NC X 2 (Flat Pt.)..... | 4 |
| 091-995712 | . Hex. Key 5/16..... | 1 |

| |
|----------------|
| NEW DRG. |
| S.C.L. 8-10-83 |
| REVISIONS |
| S.C.L. 8-21-84 |
| |
| |



HEAD HOLDER ASSEMBLY



PIVOT AREA

| MODEL | FIRST MACH | LAST MACH |
|-------|------------|-----------|
| C-916 | 438-83101 | 438-85863 |

FINAL ASSEMBLY
(2 OF 2)

FINAL ASSEMBLY

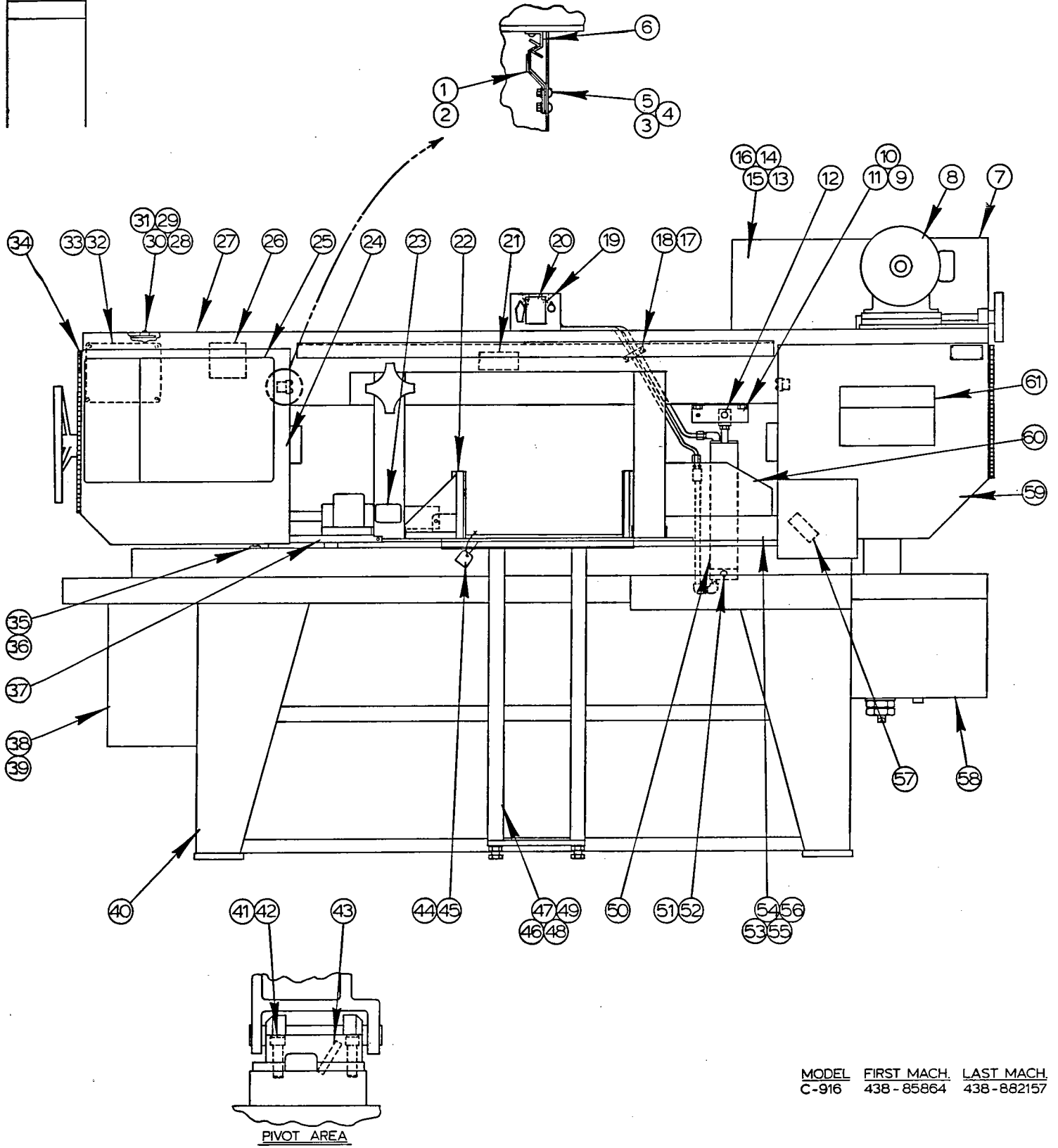
| INDEX NO. | PART NO. | DESCRIPTION | UNITS PER ASS'Y | INDEX NO. | PART NO. | DESCRIPTION | UNITS PER ASSY |
|-----------|-------------|---|-----------------|-----------|------------|---|----------------|
| Ref. | 095-114781 | Final Assembly (2 of 2) | | | | | |
| 1 | 135-027969 | . Door Spring..... | 2 | 39 | 091-306647 | . Lever..... | 1 |
| 2 | 090-397928 | . Back-Up Spring..... | 2 | 40 | 091-207027 | . Escutcheon (Head Hold) (English).. | 1 |
| 3 | 091-988402 | . Screw, Rd. Hd. Mach. #6-32NC x 3/8 | 4 | | 091-323535 | . Escutcheon (Head Hold) (Int'l.).. | 1 |
| 4 | 091-996893 | . Screw, Fill. Hd. Mach. #6-32NC x 1/4..... | 2 | 41 | 091-207033 | . Escutcheon (Head Release) (English)..... | 1 |
| 5 | 091-992626 | . Washer, Lock #6 Shakeproof Int.... | 4 | | 091-323543 | . Escutcheon (Head Release) (International)..... | 1 |
| 6 | 093-125094 | . Door Catch..... | 2 | | | | |
| 7 | 095-114831 | . Cover Weldment..... | 1 | 42 | 091-477869 | . Actuator..... | 1 |
| 8 | 091-588129 | . Drive Assembly (See Detail)..... | 1 | 43 | 091-991232 | . Nut, Hex. Jam 5/16-18NC..... | 1 |
| 9 | 090-014481 | . Tubing Clamp..... | 3 | 44 | 094-122603 | . L.H. Blade Guard..... | 1 |
| 10 | 091-988949 | . Screw, Rd. Hd. Mach. 1/4-20NC x 3/8..... | 3 | 45 | 095-128245 | . Frame Weldment..... | 1 |
| 11 | 094-126158 | . Cover..... | 1 | 46 | 094-126174 | . Head Feed Cylinder Assembly (See Detail)..... | 1 |
| 12 | 091-988675 | . Screw, Rd. Hd. Mach. #10-24NC x 3/8..... | 18 | 47 | 135-064269 | . Retaining Ring..... | 4 |
| 13 | 091-993196 | . Washer, Lock #10 Std..... | 19 | 48 | 091-588244 | . Pin..... | 1 |
| 14 | 091-992586 | . Washer, Flat #10 S.A.E. Std..... | 4 | 49 | 094-136819 | . R.H. Blade Guard..... | 1 |
| 15 | 091-022715 | . Pin..... | 1 | 50 | 091-980060 | . Screw, Hex. Hd. Cap 1/4-20NC x 1/2..... | 9 |
| 16 | 093-126480 | . Bracket..... | 2 | 51 | 091-993212 | . Washer, Lock 1/4 Std..... | 9 |
| 17 | 091-588012 | . Wire..... | 1 | 52 | 091-992602 | . Washer, Flat 1/4 S.A.E. Std..... | 3 |
| 18 | 091-973172 | . Nylon Tubing 3/16 O.D..... | A.R. | 53 | 091-982975 | . Screw, Soc. Hd. Cap 1/2-13NC x 2. | 4 |
| 19 | 095-115895 | . Head Assembly (See Detail)..... | 1 | 54 | 091-000901 | . Washer, Lock 1/2 Hi-Collar..... | 4 |
| 20 | *095-126496 | . Vise Jaw Assembly (Swivel) (See Detail)..... | 1 | 55 | 090-139973 | . Dowel Pin..... | 2 |
| | 094-126166 | . Vise Jaw Assembly (Fixed) (See Detail)..... | 1 | 56 | 094-129699 | . Chip Brush Assembly (Powered) (See Detail)..... | 1 |
| 21 | 091-115121 | . Escutcheon (Coolant) (English).... | 1 | 57 | 091-982470 | . Screw, Soc. Hd. Cap 1/4-20NC x 2. | 2 |
| | 091-310615 | . Escutcheon (Coolant) (Int'l.)..... | 1 | 58 | 091-991158 | . Nut, Hex. 1/4-20NC..... | 2 |
| 22 | 093-132181 | . L.H. Door Weldment..... | 1 | 59 | 093-144020 | . Head Holder Assembly (See Detail) | 1 |
| 23 | 094-134970 | . Job Selector..... | 1 | 60 | 091-076372 | . Cable Tie..... | A.R. |
| 24 | 091-292730 | . Escutcheon (Patent Numbers)..... | 1 | 61 | 093-132173 | . R.H. Door Weldment..... | 1 |
| 25 | 091-186981 | . Strap..... | 1 | 62 | 091-980441 | . Screw, Hex. Hd. Cap 3/8-16NC x 3/4..... | 4 |
| 26 | 091-988675 | . Screw, Rd. Hd. Mach. #10-24NC x 3/8..... | 1 | 63 | 091-993253 | . Washer, Lock 3/8 Std..... | 4 |
| 27 | 091-017327 | . Spacer..... | 1 | 64 | 093-126407 | . Mast Base..... | 1 |
| 28 | 091-392381 | . Door Stop..... | 1 | | | | |
| 29 | 091-990176 | . Screw, Truss Hd. Mach. #10-24NC x 3/4..... | 1 | | | | |
| 30 | 091-991117 | . Nut, Hex. #10-24NC..... | 1 | | | | |
| 31 | 091-306654 | . Swivel..... | 1 | | | | |
| 32 | 091-984104 | . Screw, Soc. Set #10-24NC x 1/4.... | 1 | Ref. | 093-144020 | Head Holder Assembly | |
| 33 | 093-043016 | . Escutcheon (Machine Spec's.) (English)..... | 1 | 65 | 090-380692 | . Tube Assembly..... | 1 |
| | 093-078921 | . Escutcheon (Machine Spec's.) (International)..... | 1 | 66 | 091-988675 | . Screw, Rd. Hd. Mach. #10-24NC x 3/8..... | 3 |
| 34 | 091-993972 | . Screw, Rd. Hd. Drive #2 x 1/4..... | 8 | 67 | 091-991117 | . Nut, Hex. #10-24NC..... | 3 |
| 35 | 091-381103 | . Escutcheon (Band Tension)..... | 1 | 68 | 090-042235 | . Roll Pin..... | 1 |
| 36 | 091-207969 | . Screw, Soc. Hd. Shoulder (5/16 dia. x 3/8)..... | 1 | 69 | 091-704841 | . Latch Plate..... | 1 |
| | | | | 70 | 090-380676 | . Rod..... | 1 |
| 37 | 091-102293 | . Belleville Washer..... | 5 | 71 | 091-206961 | . Pin..... | 1 |
| 38 | 091-992628 | . Washer, Flat 5/16 S.A.E. Std..... | 1 | 72 | 090-042433 | . Roll Pin..... | 1 |
| | | | | 73 | 091-984104 | . Screw, Soc. Set #10-24NC x 1/4... | 1 |
| | | | | 74 | 091-206953 | . Spring..... | 1 |
| | | | | 75 | 093-028538 | . Clamp..... | 2 |

FOLLOWING NOT SHOWN:

| | | | |
|------------|------------------------------------|--|---|
| 091-705335 | . Escutcheon (Made in Taiwan)..... | 1 | |
| 090-161563 | . Escutcheon (Warning)..... | 1 | |
| Ref. | 093-144020 | Head Holder Assembly | |
| 65 | 090-380692 | . Tube Assembly..... | 1 |
| 66 | 091-988675 | . Screw, Rd. Hd. Mach. #10-24NC x 3/8..... | 3 |
| 67 | 091-991117 | . Nut, Hex. #10-24NC..... | 3 |
| 68 | 090-042235 | . Roll Pin..... | 1 |
| 69 | 091-704841 | . Latch Plate..... | 1 |
| 70 | 090-380676 | . Rod..... | 1 |
| 71 | 091-206961 | . Pin..... | 1 |
| 72 | 090-042433 | . Roll Pin..... | 1 |
| 73 | 091-984104 | . Screw, Soc. Set #10-24NC x 1/4... | 1 |
| 74 | 091-206953 | . Spring..... | 1 |
| 75 | 093-028538 | . Clamp..... | 2 |

*NOTE: Item #20 was #094-129707 and Item #45 was 095-114732 Before Serial #438-85784.

REVISED AND
REDRAWN
SCL 8-13-86



| MODEL | FIRST MACH. | LAST MACH. |
|-------|-------------|------------|
| C-916 | 438-85864 | 438-882157 |

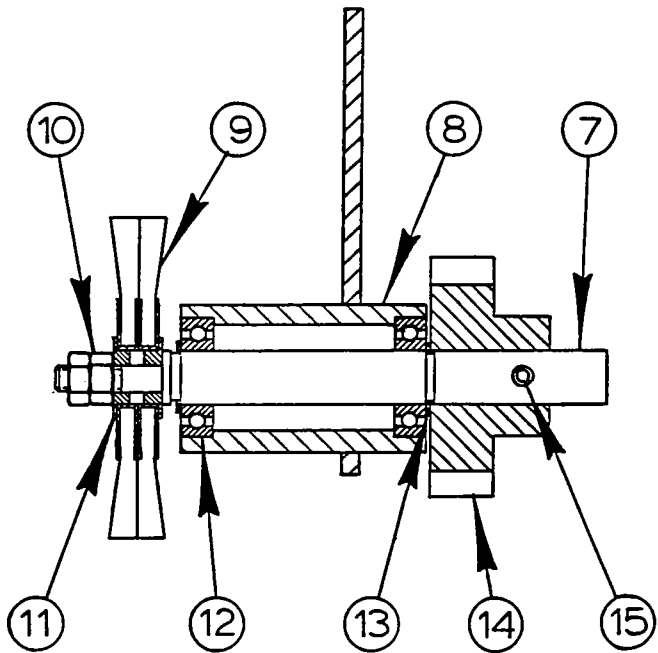
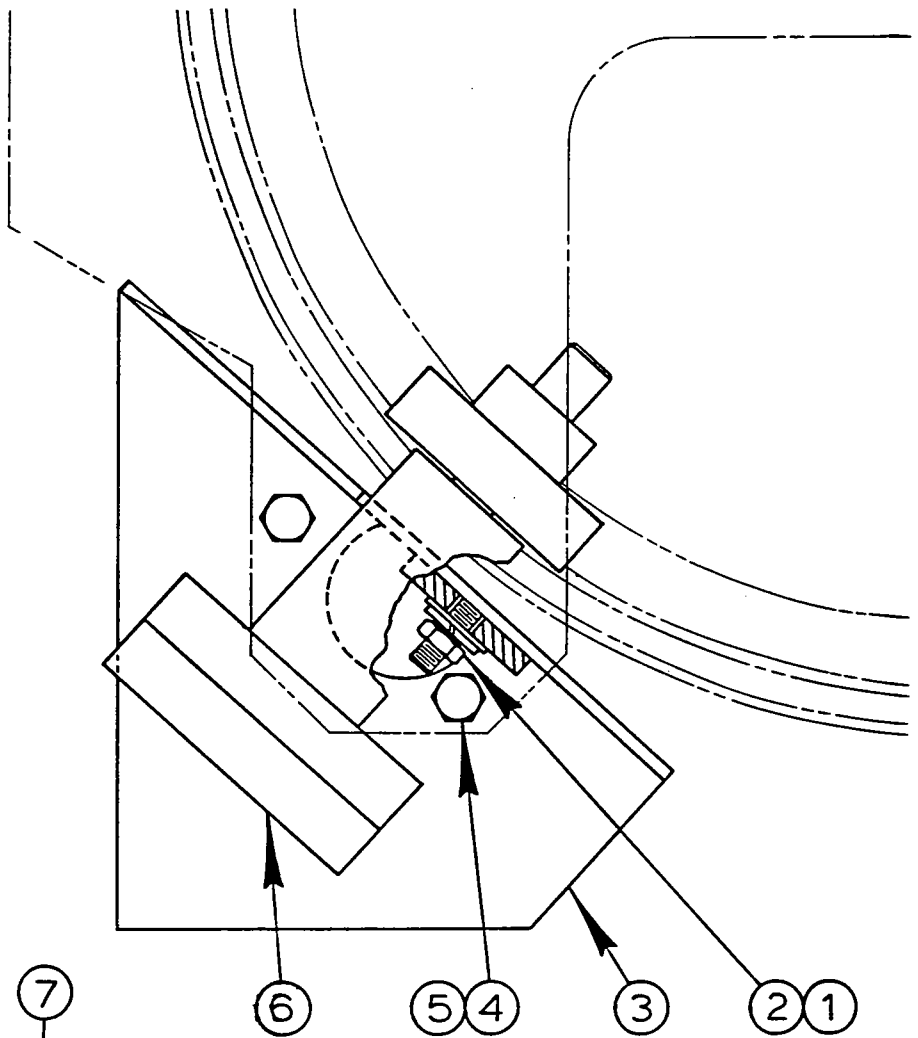
FINAL ASSEMBLY

FINAL ASSEMBLY

| INDEX NO. | PART NO. | DESCRIPTION | UNITS PER ASS'Y | INDEX NO. | PART NO. | DESCRIPTION | UNITS PER ASSY |
|-----------|------------|--|-----------------|----------------------|--|--|----------------|
| Ref. | 190049 | Final Assembly | | 42 | 091-000901 | . Washer, Lock 1/2 Hi-Collar..... | 4 |
| 1 | 095-130167 | Main Saw Assembly | | 43 | 090-139973 | . Dowel Pin..... | 2 |
| 2 | 135-027969 | . Door Spring (Large)..... | 2 | 44 | 091-715300 | . Saw Band (Imperial Bi-Metal Super Silencer)..... | 1 |
| 3 | 090-397928 | . Back-Up Spring (Small)..... | 2 | 45 | 093-045250 | . Saw Band Tag..... | 1 |
| 4 | 091-988402 | . Screw, Rd. Hd. Mach. #6-32NC x 3/8 | 4 | 46 | 095-113403 | . Receiving Tray Assembly (Swivel Jaws)..... | 1 |
| 5 | 091-988893 | . Screw, Fill. Hd. Mach. #6-32NC x 1/4..... | 2 | 47 | 091-987685 | . Screw, Flat Hd. Mach. 5/16-18NC x 3/4..... | 3 |
| 6 | 091-993626 | . Washer, Lock #6 Shakeproof Int.... | 4 | 48 | 091-993238 | . Washer, Lock 5/16 Std..... | 3 |
| 7 | 093-125094 | . Door Catch..... | 2 | 49 | 091-991224 | . Nut, Hex. 5/16-18NC..... | 3 |
| 8 | 095-114831 | . Cover Weldment..... | 1 | 50 | 094-143880 | . Head Feed Cylinder And Control Valve (See Detail)..... | 1 |
| 9 | 091-586602 | . Drive Assembly (See Detail)..... | 1 | 51 | 135-064269 | . Retaining Ring..... | 4 |
| 10 | 093-126480 | . Bracket..... | 1 | 52 | 091-588244 | . Pin..... | 1 |
| 11 | 091-980425 | . Screw, Hex. Hd. Cap 3/8-16NC x 1/2 | 2 | 53 | 094-136819 | . R.H. Blade Guard..... | 1 |
| 12 | 091-993329 | . Washer, Lock 3/8 Std..... | 2 | 54 | 091-980060 | . Screw, Hex. Hd. Cap 1/4-20NC x 1/2..... | 9 |
| 13 | 091-022715 | . Pin..... | 1 | 55 | 091-993212 | . Washer, Lock 1/4 Std..... | 9 |
| 14 | 094-126158 | . Cover..... | 1 | 56 | 091-992602 | . Washer, Flat 1/4 S.A.E. Std..... | 3 |
| 15 | 091-988675 | . Screw, Rd. Hd. Mach. #10-24NC x 3/8..... | 18 | 57 | 094-129699 | . Chip Brush Assembly (Powered) (See Detail)..... | 1 |
| 16 | 091-993196 | . Washer, Lock #10 Std..... | 19 | 58 | 093-126423 | . Coolant Assembly (See Detail).... | 1 |
| 17 | 091-992586 | . Washer, Flat #10 S.A.E. Std..... | 4 | 59 | 093-132173 | . R.H. Door Weldment..... | 1 |
| 18 | 090-014481 | . Tubing Clamp..... | 2 | 60 | 093-126407 | . Mast Base..... | 1 |
| 19 | 091-982645 | . Screw, Soc. Hd. Cap 5/16-18NC X 2. | 2 | 61 | 094-044780 | . Escutcheon (Warning)..... | 1 |
| *20 | 091-727487 | . Escutcheon (Head Feed)..... | 1 | FOLLOWING NOT SHOWN: | | | |
| 21 | 091-705335 | . Escutcheon (Made in Taiwan)..... | 1 | 091-301796 | . Shipping Bracket Assembly..... | 1 | |
| 22 | 095-126496 | . Vise Jaw Assembly (Swivel) (See Detail)..... | 1 | 091-980284 | . Screw, Hex. Hd. Cap 5/16-18NC x 7/8..... | 2 | |
| 23 | 091-115121 | . Escutcheon (Coolant) (English).... | 1 | 091-992628 | . Washer, Flat 5/16 S.A.E. Std..... | 2 | |
| 24 | 091-310615 | . Escutcheon (Coolant) (Int'l.)..... | 1 | 091-982595 | . Screw, Soc. Hd. Cap 5/16-18NC x 7/8..... | 2 | |
| 25 | 093-132181 | . L.H. Door Weldment..... | 1 | 094-068723 | . Instruction Tag..... | 1 | |
| 26 | 094-134970 | . Job Selector..... | 1 | 091-448175 | . DoALL Cutting Fluid..... | A.R. | |
| 27 | 091-292730 | . Escutcheon (Patent Numbers)..... | 1 | 091-995712 | . Hex Key 5/16..... | 1 | |
| 28 | 095-115895 | . Head Assembly (See Detail)..... | 1 | 090-124074 | . Foot Casting..... | 4 | |
| 29 | 091-017327 | . Spacer..... | 1 | 091-114926 | . Screw, Soc. Set 5/8-11NC x 2 (Flat Pt.)..... | 4 | |
| 30 | 091-392381 | . Door Stop..... | 1 | 071-708271 | . Field Alignment and Adjustment Summary..... | 1 | |
| 31 | 091-990176 | . Screw, Truss Hd. Mach. #10-24NC x 3/4..... | 1 | 071-588198 | . Instruction Manual..... | 1 | |
| 32 | 091-991117 | . Nut, Hex. #10-24NC..... | 1 | 071-588206 | . Parts Manual..... | 1 | |
| 33 | 093-155406 | . Escutcheon (Machine Spec's)..... | 1 | | | | |
| 34 | 091-993972 | . Screw, Rd. Hd. Drive #2 x 1/4... 8 | 8 | | | | |
| 35 | 091-381103 | . Escutcheon (Band Tension)..... | 1 | | | | |
| 36 | 091-477869 | . Actuator..... | 1 | | | | |
| 37 | 091-991232 | . Nut, Hex. Jam 5/16-18NC..... | 1 | | | | |
| 38 | 094-122603 | . L.H. Blade Guard..... | 1 | | | | |
| 39 | 095-117206 | . Electrical Assembly (See Detail) 1 | 1 | | | | |
| 40 | 090-161563 | . Escutcheon (Warning)..... | 1 | | | | |
| 41 | 095-128245 | . Frame Weldment..... | 1 | | | | |
| | 091-982975 | . Screw, Soc. Hd. Cap 1/2-13NC x 2 4 | 4 | | | | |

*NOTE: Item #20 was 091-723544 before Serial #438-861119.

| |
|----------------|
| NEW DRG. |
| SCL 7-22-83 |
| REVISIONS |
| SCL 8-14-86 |
| S.C.L. 4-21-87 |



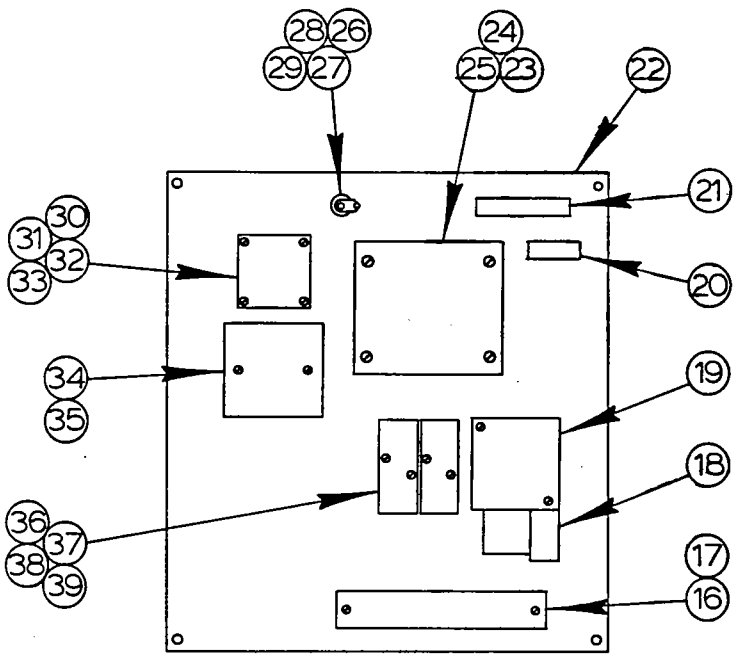
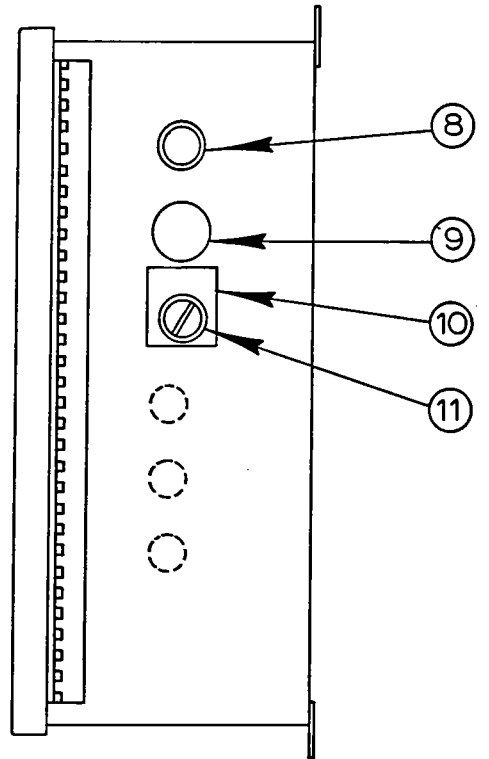
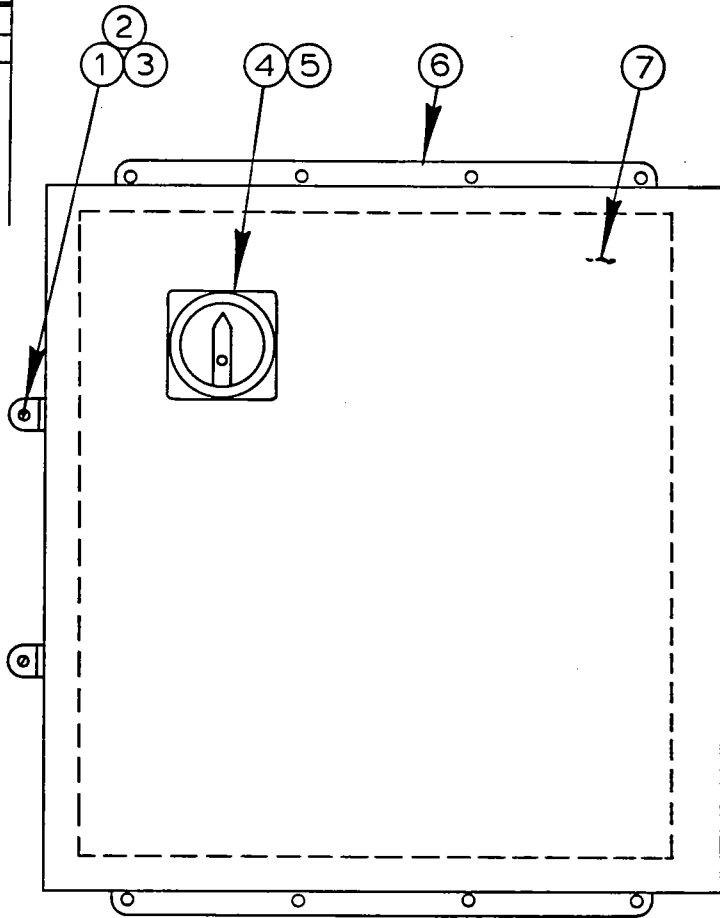
| <u>MODEL</u> | <u>FIRST MACH.</u> | <u>LAST MACH.</u> |
|--------------|--------------------|-------------------|
| C-916 | 438-83101 | 438-882157 |
| C-916A | 463-86101 | 463-87121 |
| C-916A | 466-87101 | 466-89293 |

CHIP BRUSH ASSEMBLY

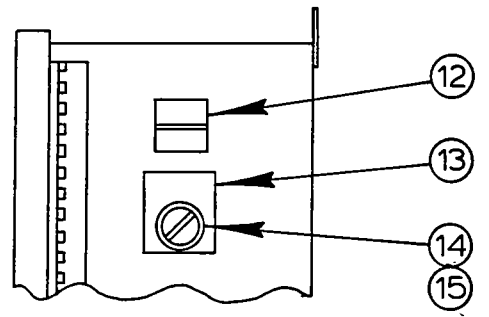
CHIP BRUSH ASSEMBLY

| INDEX NO. | PART NO. | DESCRIPTION | UNITS PER ASS'Y |
|-----------|------------|---|-----------------|
| Ref. | 094-129699 | Chip Brush Assembly (Powered) | |
| 1 | 091-991158 | . Nut, Hex. 1/4-20NC..... | 2 |
| 2 | 091-992602 | . Washer, Flat 1/4 S.A.E. Std..... | 2 |
| 3 | 091-596890 | . Bracket Weldment..... | 1 |
| 4 | 091-980078 | . Screw, Hex. Hd. Cap 1/4-20NC x 5/8..... | 2 |
| 5 | 091-993212 | . Washer, Lock 1/4 Std..... | 4 |
| 6 | 093-156339 | . Band Brush Assembly..... | 1 |
| 7 | 091-735753 | . . Shaft..... | 1 |
| 8 | 093-156347 | . . Bracket Weldment..... | 1 |
| 9 | 090-109836 | . . Wire Brush..... | 2 |
| 10 | 090-113283 | . . Nut, Hex. 1/4-20NC (L.H. Thread)..... | 2 |
| 11 | 090-128984 | . . Brush Adaptor..... | 2 |
| 12 | 091-735712 | . . Bearing..... | 2 |
| 13 | 135-096139 | . . Retaining Ring..... | 2 |
| 14 | 093-156354 | . . Pinion..... | 1 |
| 15 | 090-042607 | . . Roll Pin..... | 1 |

| |
|----------------|
| NEW DRG. |
| S.C.L. 8-24-84 |
| REVISIONS |
| |
| |



CONTROL PANEL ASSEMBLY
(RELAY)



THIS CONFIGURATION USED ON SOME MACHINES. MATCH WITH DRAWING.

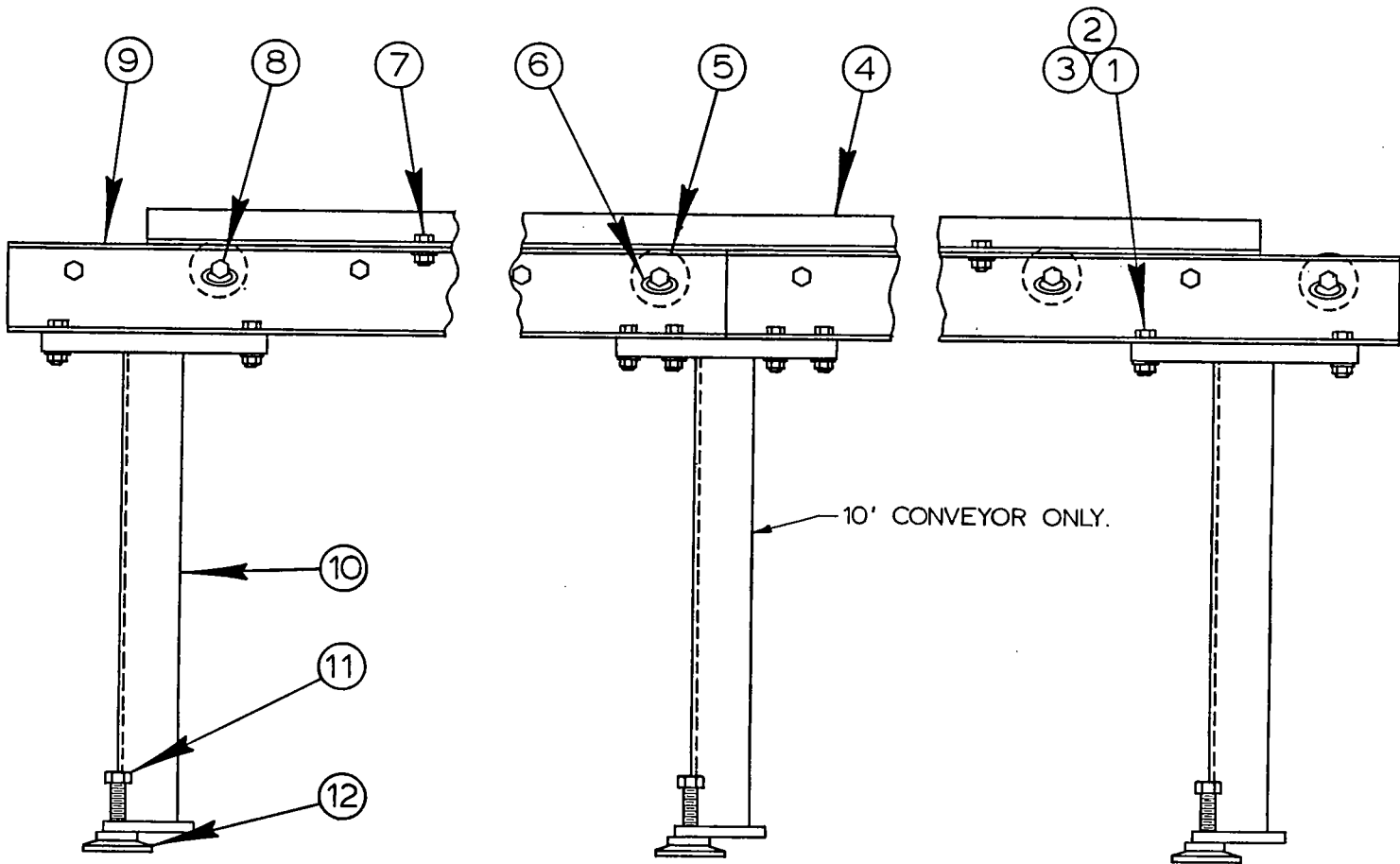
| MODEL | FIRST MACH. | LAST MACH. |
|-------|-------------|------------|
| C-916 | 438-84104 | 438-882157 |

CONTROL BOX ASSEMBLY

CONTROL BOX ASSEMBLY

| INDEX NO. | PART NO. | DESCRIPTION | UNITS PER ASS'Y | INDEX NO. | PART NO. | DESCRIPTION | UNITS PER ASSY |
|-------------------------|------------|---|-----------------|--|-------------------------------------|--|----------------|
| Ref. | 091-704247 | Control Box Assembly (240V) | | 19 | 091-700062 | . Magnetic Contactor..... | 1 |
| Ref. | 091-704254 | Control Box Assembly (480V) | | 20 | 091-391854 | . Label (Copper Wire Only)..... | 1 |
| Ref. | 091-704288 | Control Box Assembly (115V) | | 21 | 091-095570 | . Escutcheon (Diagram No.)..... | 1 |
| Ref. | 091-704304 | Control Box Assembly (230V) | | 22 | 094-137288 | . Panel..... | 1 |
| 1 | 091-988733 | . Screw, Rd. Hd. Mach. #10-24NC x 3/4 | 2 | 23 | 091-700120 | . Transformer (115V)..... | 1 |
| 2 | 091-193995 | . O-Ring..... | 2 | 24 | 091-988659 | . Screw, Rd. Hd. Mach. #10-24NC x 1/4..... | 4 |
| 3 | 091-993196 | . Washer, Lock #10 Std..... | 2 | 25 | 091-993733 | . Washer, Lock #10 Shakeproof Ext.. | 4 |
| *4 | 091-700013 | . Door Clutch..... | 1 | 26 | 091-047704 | . Ground Tag..... | 1 |
| *5 | 091-700047 | . Padlock Accessory..... | 1 | 27 | 091-391946 | . Ground Terminal..... | 1 |
| 6 | 094-137270 | . Control Box Weldment..... | 1 | 28 | 091-988758 | . Screw, Rd. Hd. Mach. #10-24NC x 1 | 1 |
| 7 | 091-700187 | . Control Panel Assembly (240V)(See Detail)..... | 1 | 29 | 091-991125 | . Nut, Hex. #10-24NC..... | 2 |
| | 091-700195 | . Control Panel Assembly (480)(See Detail)..... | 1 | *30 | 091-700005 | . Switch..... | 1 |
| | 091-704270 | . Control Panel Assembly (115V)(See Detail)..... | 1 | | 091-704163 | . Disconnect Switch Assembly (240/480V)..... | 1 |
| | 091-704296 | . Control Panel Assembly (230V)(See Detail)..... | 1 | | 091-706077 | . Disconnect Switch Assembly (115/230V)..... | 1 |
| 8 | 091-706036 | . Pushbutton Operator (W/1NO, 1-NC Contact)(Green)..... | 1 | *31 | 091-700021 | . Mounting Base..... | 1 |
| 9 | 091-706051 | . Pushbutton Operator (W/1-NO, 1-NC Contact)(Red Mushroom)..... | 1 | *32 | 091-700039 | . Shaft Extension..... | 1 |
| 10 | 091-704205 | . Escutcheon (Coolant)..... | 1 | *33 | 091-700054 | . Terminal Cover..... | 1 |
| 11 | 091-700203 | . Escutcheon (Coolant/Worklight)..... | 1 | 34 | 091-700138 | . Fuse Block (240V)..... | 1 |
| | 091-706044 | . Selector Switch (W/1-NO Contact) (2 Position)..... | 1 | | 091-536979 | . Fuse Block (480V)..... | 1 |
| | 091-706069 | . Contact Block (1-NO)(W/Worklight Only)..... | 1 | 35 | 090-158270 | . Fuse Block (115V)..... | 1 |
| | | | | | 090-158296 | . Fuse Block (230V)..... | 1 |
| | | | | | 091-357921 | . Fuse (20 Amp)..... | 3 |
| | | | | | 091-354076 | . Fuse (10 Amp)..... | 3 |
| | | | | | 091-351254 | . Fuse (40 Amp)..... | 3 |
| | | | | | 091-338517 | . Fuse (20 Amp)..... | 3 |
| | | | | 36 | 091-700161 | . Fuse Block..... | 2 |
| | | | | 37 | 091-700146 | . Fuse (3 Amp)..... | 2 |
| | | | | 38 | 091-988550 | . Screw, Rd. Hd. Mach. #8-32NC x 1/2 | 6 |
| | | | | 39 | 091-993717 | . Washer, Lock #8 Shakeproof Ext... | 14 |
| ALTERNATE CONFIGURATION | | | | | | | |
| 12 | 091-700104 | . Pushbutton Unit..... | 1 | FOLLOWING NOT SHOWN: | | | |
| 13 | 091-704205 | . Escutcheon (Coolant)..... | 1 | 091-971853 | . Wire, #12 Black (Nylon Jacket)... | A.R. | |
| 14 | 091-548636 | . Selector Switch (2-Position)..... | 1 | 091-971903 | . Wire, #14 Red (Nylon Jacket).... | A.R. | |
| 15 | 091-548669 | . Mounting Base (W/1-NC Contact)..... | 1 | 091-971879 | . Wire, #14 White (Nylon Jacket)... | A.R. | |
| Ref. | 091-700187 | Control Panel Assembly (240V) | | 091-971952 | . Wire, #14 Green/Yellow (Flamenal) | A.R. | |
| Ref. | 091-700195 | Control Panel Assembly (480V) | | *NOTE: Items Marked Used From Serial #438-84104 Thru #438-84183. | | | |
| Ref. | 091-704270 | Control Panel Assembly (115V) | | | | | |
| Ref. | 091-704296 | Control Panel Assembly (230V) | | | | | |
| 16 | 091-700179 | . Terminal Block..... | 1 | | | | |
| 17 | 091-988535 | . Screw, Rd. Hd. Mach. #8-32NC x 3/8. | 8 | | | | |
| 18 | 091-700070 | . Overload Relay (240V)..... | 1 | | | | |
| | 091-700088 | . Overload Relay (480V)..... | 1 | | | | |
| | 091-495135 | . Overload Relay (115V)..... | 1 | | | | |
| | 091-495119 | . Overload Relay (230V)..... | 1 | | | | |

| |
|--------------------------|
| NEW DRG. SCL. 6-22-83 |
| REVISIONS |
| SCL. 4-23-87 |
| SCL. 12-15-87 |
| SCL. 4-5-90 |
| |



| MODEL | FIRST MACH. | LAST MACH. |
|---------|-------------|------------|
| C-916 | 438-83101 | 438-882157 |
| C-916A | 463-86101 | 463-87121 |
| C-260A | 459-86101 | 459-89427 |
| C-260NC | 461-87101 | 461-89150 |
| C-916A | 466-87101 | 466-89293 |
| C-916M | 470-88101 | 470-89639 |
| C-916A | 473-88101 | 473-89270 |

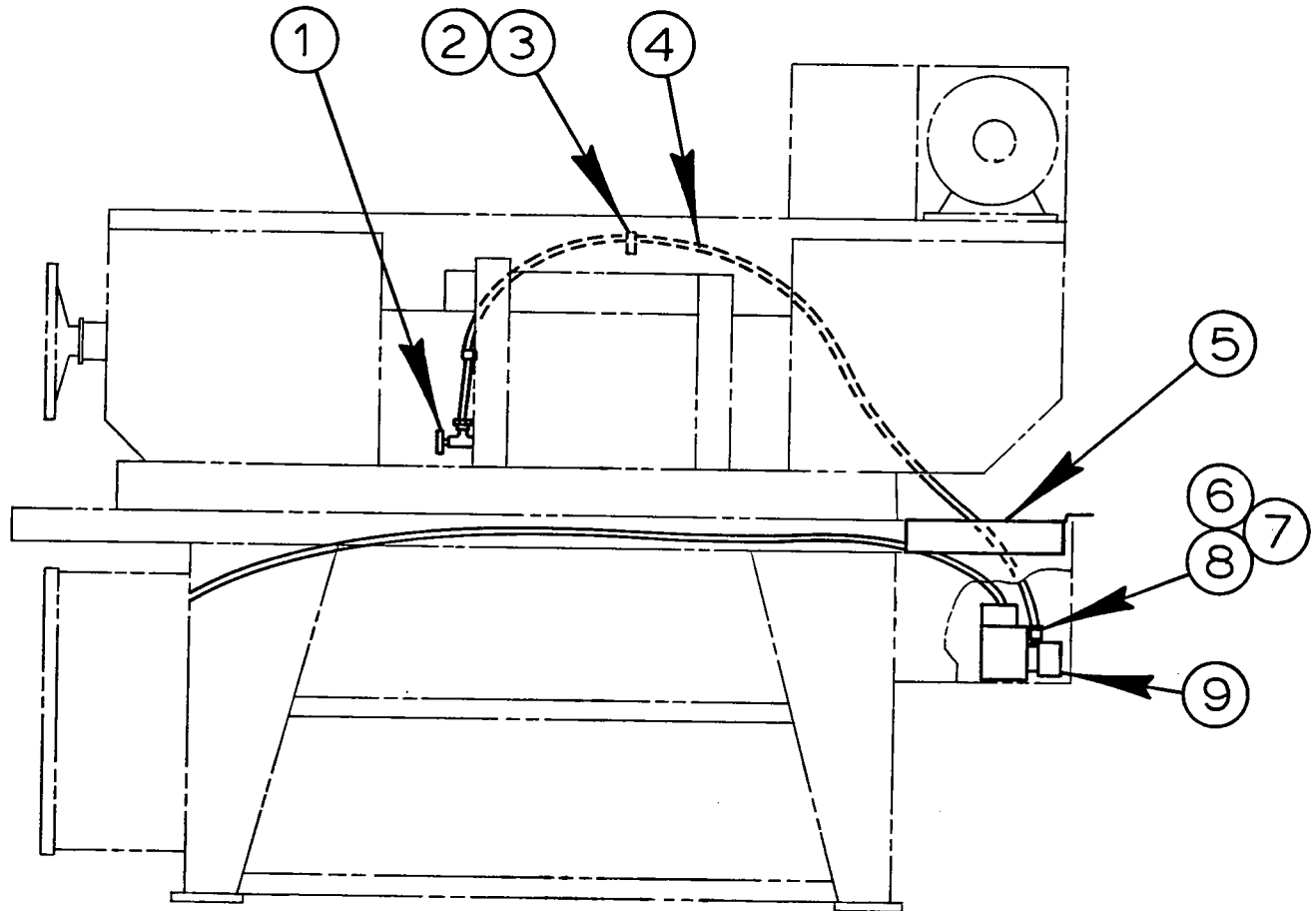
CONVEYOR ASSEMBLY
(5'/10' IDLER)

CONVEYOR ASSEMBLY

| INDEX NO. | PART NO. | DESCRIPTION | UNITS PER ASS'Y |
|-----------|------------|---|-----------------|
| Ref. | 085-112399 | 5' Conveyor Assembly (Idler) | |
| 1 | 091-980482 | . Screw, Hex. Hd. Cap 3/8-16NC x 1-1/2..... | 8 |
| 2 | 091-993329 | . Washer, Lock 3/8 Std..... | 12 |
| 3 | 091-991265 | . Nut, Hex. 3/8-16NC..... | 12 |
| 4 | 090-253949 | . Fence..... | 2 |
| 5 | 090-108994 | . 18" Roller Assembly..... | 5 |
| | 091-141549 | . . 18" Tube..... | 1 |
| | 091-141101 | . . Star Ring..... | 2 |
| | 091-141119 | . . Bearing..... | 2 |
| 6 | 090-109166 | . Hog Ring..... | 10 |
| 7 | 091-980458 | . Screw, Hex. Hd. Cap 3/8-16NC x 7/8..... | 4 |
| 8 | 090-072851 | . Hex. Shaft..... | 5 |
| 9 | 090-455437 | . Channel..... | 2 |
| 10 | 095-113379 | . Support Weldment..... | 2 |
| 11 | 091-981779 | . Screw, Hex. Hd. Cap 5/8-11NC x 2-3/4..... | 4 |
| 12 | 090-124207 | . Foot Casting..... | 4 |
| Ref. | 085-112407 | 10' Conveyor Assembly (Idler) | |
| 1 | 091-980482 | . Screw, Hex. Hd. Cap 3/8-16NC x 1-1/2..... | 16 |
| 2 | 091-993329 | . Washer, Lock 3/8 Std..... | 20 |
| 3 | 091-991265 | . Nut, Hex. 3/8-16NC..... | 20 |
| 4 | 090-253949 | . Fence..... | 2 |
| 5 | 090-108994 | . 18" Roller Assembly..... | 10 |
| | 091-141549 | . . 18" Tube..... | 1 |
| | 091-141101 | . . Star Ring..... | 2 |
| | 091-141119 | . . Bearing..... | 2 |
| 6 | 090-109166 | . Hog Ring..... | 20 |
| 7 | 091-980458 | . Screw, Hex. Hd. Cap 3/8-16NC x 7/8..... | 4 |
| 8 | 090-072851 | . Hex. Shaft..... | 10 |
| 9 | 090-455437 | . Channel..... | 4 |
| 10 | 095-113379 | . Support Weldment..... | 3 |
| 11 | 091-971779 | . Screw, Hex. Hd. Cap 5/8-11NC x 2-3/4..... | 6 |
| 12 | 090-124207 | . Foot Casting..... | 6 |

NEW DRG.
S.C.L. 6-7-83

REVISIONS
S.C.L. 8-13-86



| <u>MODEL</u> | <u>FIRST MACH.</u> | <u>LAST MACH.</u> |
|--------------|--------------------|-------------------|
| C-916 | 438-83101 | 438-882157 |

COOLANT ASSEMBLY

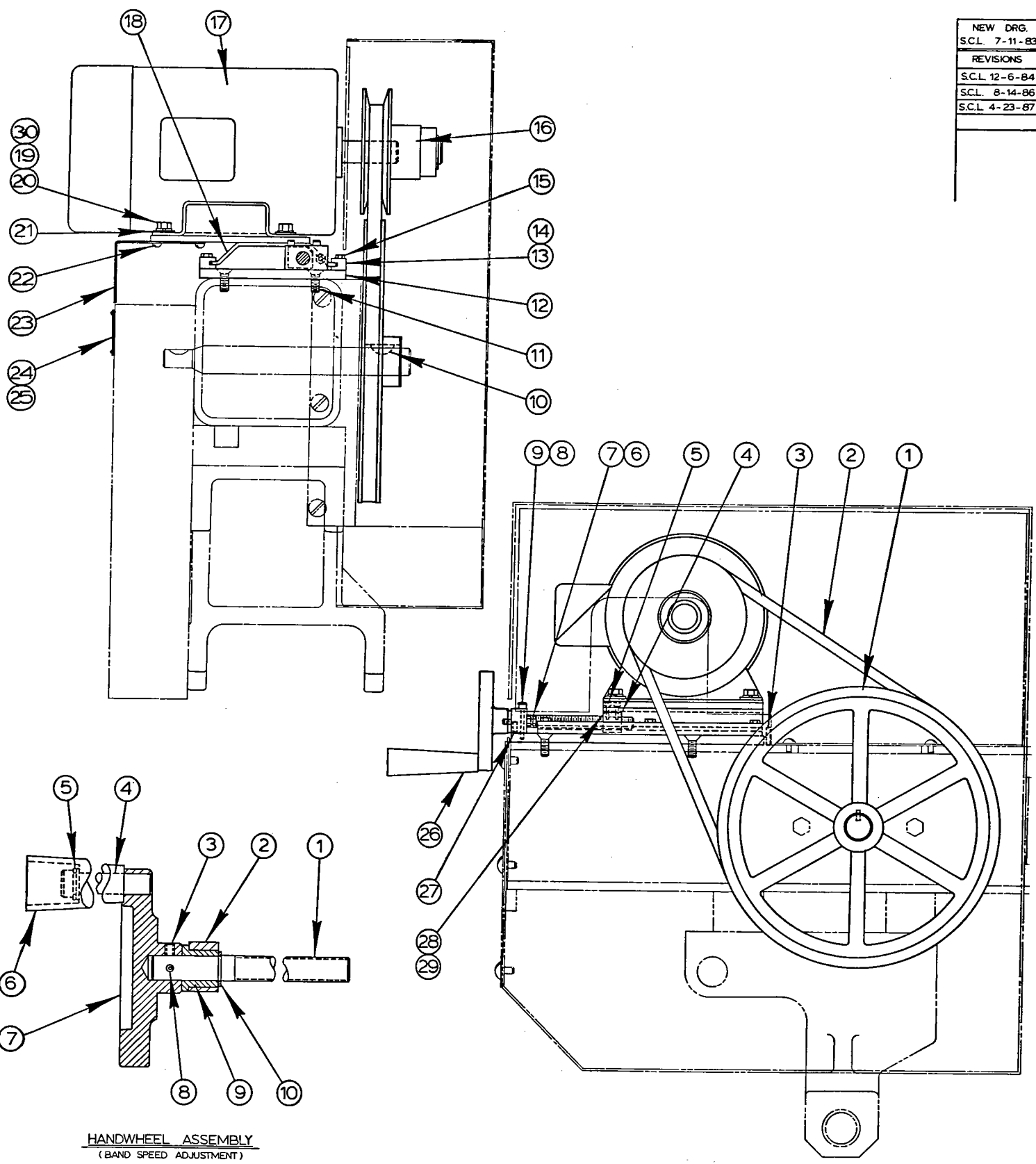
PS - 6 - 31

PRINTED IN U.S.A.

COOLANT ASSEMBLY

| INDEX NO. | PART NO. | DESCRIPTION | UNITS PER ASS'Y |
|-----------|------------|--|-----------------|
| Ref. | 093-126423 | Coolant Assembly | |
| 1 | 091-735795 | . Shut-Off Cock..... | 1 |
| 2 | 090-172479 | . Hose Clamp..... | 3 |
| 3 | 091-988535 | . Screw, Rd. Hd. Mach. #8-32NC x 3/8..... | 2 |
| 4 | 091-971440 | . Plastic Tubing 1/4 I.D. (Clear)..... | A.R. |
| 5 | 091-693473 | . Chip Tray Assembly..... | 1 |
| | 095-119244 | . . Tray Weldment..... | 1 |
| | 093-132199 | . . Frame..... | 1 |
| | 091-990135 | . . Screw, Truss Hd. Mach. #10-24NC x 1/4..... | 8 |
| | 093-138352 | . . Screen..... | 1 |
| 6 | 091-033167 | . Barbed Insert..... | 1 |
| 7 | 135-003069 | . Pipe Coupling..... | 1 |
| 8 | 091-988535 | . Screw, Rd. Hd. Mach. #8-32NC x 3/8..... | 2 |
| 9 | 091-102632 | . Coolant Pump (50/60 Hz; 110/120 V)..... | 1 |

| |
|----------------|
| NEW DRG. |
| S.C.L. 7-11-83 |
| REVISIONS |
| S.C.L. 12-6-84 |
| S.C.L. 8-14-86 |
| S.C.L. 4-23-87 |
| |



HANDWHEEL ASSEMBLY
(BAND SPEED ADJUSTMENT)

DRIVE ASSEMBLY

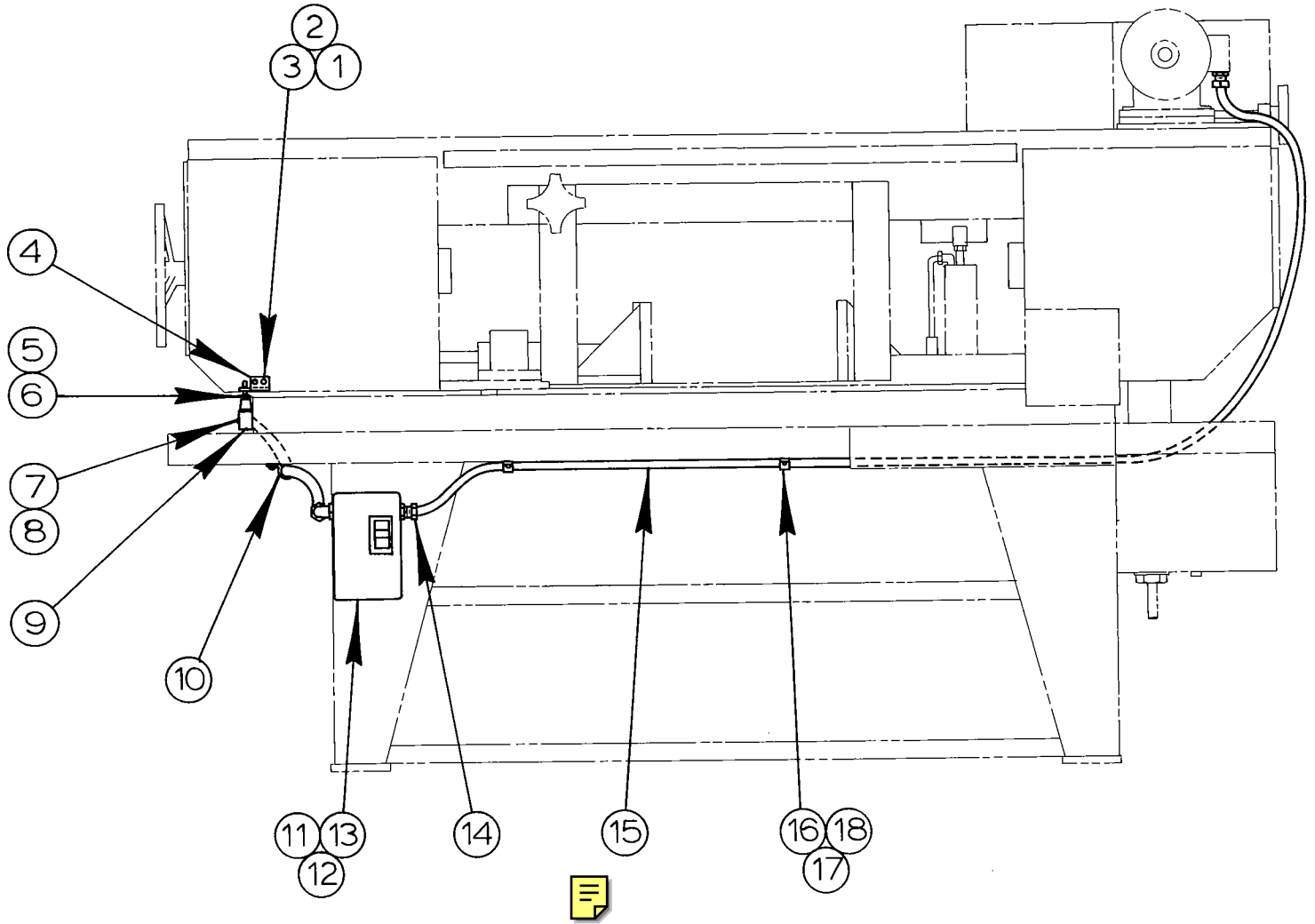
| MODEL | FIRST MACH. | LAST MACH. |
|--------|-------------|------------|
| C-916 | 438-83101 | 438-882157 |
| C-916A | 463-86101 | 463-87121 |
| C-916A | 466-87101 | 466-89293 |

DRIVE ASSEMBLY

| INDEX NO. | PART NO. | DESCRIPTION | UNITS PER ASS'Y |
|-----------|------------|--|-----------------|
| Ref. | 091-586602 | Drive Assembly | |
| 1 | 091-586594 | . Pulley (60 Hz)..... | 1 |
| | 091-586586 | . Pulley (50 Hz)..... | 1 |
| 2 | 091-588152 | . V-Belt (60 Hz)..... | 1 |
| | 090-083049 | . V-Belt (50 Hz)..... | 1 |
| 3 | 090-042334 | . Roll Pin..... | 5 |
| 4 | 091-306621 | . Nut..... | 1 |
| 5 | 091-982207 | . Screw, Soc. Hd. Cap #10-24NC x 1/2..... | 2 |
| 6 | 091-980987 | . Screw, Hex. Hd. Cap #10-24NC x 3/4..... | 1 |
| 7 | 091-991117 | . Nut, Hex. #10-24NC..... | 1 |
| 8 | 091-982264 | . Screw, Soc. Hd. Cap #10-24NC x 1-1/4..... | 2 |
| 9 | 091-992586 | . Washer, Flat #10 S.A.E. Std..... | 2 |
| 10 | 135-028520 | . Woodruff Key..... | 1 |
| 11 | 091-987685 | . Screw, Flat Hd. Mach. 5/16-18NC x 3/4..... | 4 |
| 12 | 094-126133 | . Sub-Plate..... | 1 |
| 13 | 090-378654 | . Guide..... | 2 |
| 14 | 106-043110 | . Spacer (.005)..... | A.R. |
| 15 | 091-980987 | . Screw, Hex. Hd. Mach. #10-24NC x 3/4..... | 6 |
| *16 | 091-254755 | . Variable Speed Pulley..... | 1 |
| 17 | 091-338798 | . Electric Motor (60 Hz, 115/230V)..... | 1 |
| | 091-157305 | . Electric Motor (60 Hz, 208/240/480V)..... | 1 |
| | 091-361170 | . Electric Motor (60 Hz, 575V)..... | 1 |
| | 091-490359 | . Electric Motor (50 Hz, 220/380/415V)..... | 1 |
| 18 | 094-045218 | . Slide Plate Weldment..... | 1 |
| 19 | 091-980250 | . Screw, Hex. Hd. Cap 5/16-18NC x 1/2..... | 4 |
| 20 | 091-993238 | . Washer, Lock 5/16 Std..... | 4 |
| 21 | 091-992628 | . Washer, Flat 5/16 S.A.E. Std..... | 4 |
| 22 | 091-988659 | . Screw, Rd. Hd. Mach. #10-24NC x 1/4..... | 2 |
| 23 | 091-586578 | . Pointer..... | 1 |
| 24 | 093-006963 | . Escutcheon (Band Speed) (English)..... | 1 |
| | 093-024545 | . Escutcheon (Band Speed) (International)..... | 1 |
| 25 | 091-993972 | . Screw, Rd. Hd. Drive #2 x 1/4..... | 4 |
| 26 | 090-389404 | . Handwheel Assembly (Band Speed Adjustment)(See Detail).. | 1 |
| 27 | 091-984120 | . Screw, Soc. Set #10-24NC x 1/2..... | 2 |
| 28 | 091-626648 | . Shim (.015)..... | A.R. |
| 29 | 091-626655 | . Shim (.008)..... | A.R. |
| 30 | 135-056927 | . Spacer (1/4")..... | A.R. |
| Ref. | 090-389404 | Handwheel Assembly (Band Speed Adjustment) | |
| 1 | 090-378613 | . Screw..... | 1 |
| 2 | 091-306639 | . Block..... | 1 |
| 3 | 091-984104 | . Screw, Soc. Set #10-24NC x 1/4..... | 1 |
| 4 | 091-181172 | . Pin..... | 1 |
| 5 | 090-023268 | . Collar..... | 2 |
| 6 | 091-181164 | . Handle..... | 1 |
| 7 | 090-373812 | . Handwheel..... | 1 |
| 8 | 090-042466 | . Roll Pin..... | 1 |
| 9 | 106-015076 | . Oilite Bearing..... | 1 |
| 10 | 091-214270 | . Retaining Ring..... | 2 |

NOTE: If Variable Pulley Bore is 24mm, Order #091-482232.

| |
|----------------------------|
| NEW DRG. S.C.L. 7-18-83 |
| REVISIONS |
| S.C.L. 5-17-84 |
| |
| |



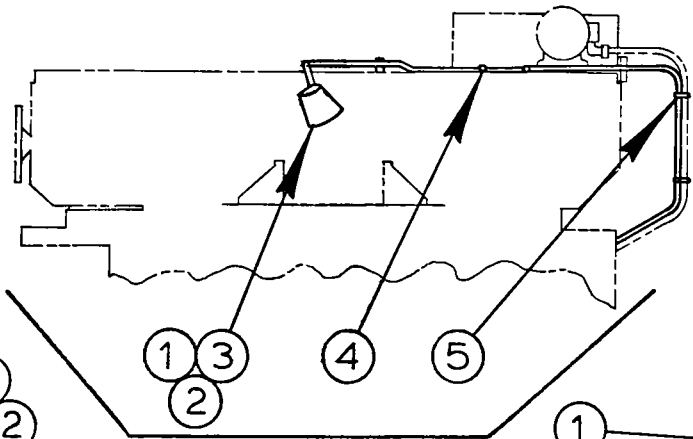
| | | |
|--------------|--------------------|-------------------|
| <u>MODEL</u> | <u>FIRST MACH.</u> | <u>LAST MACH.</u> |
| C-916 | 438-83101 | 438-84103 |

ELECTRICAL ASSEMBLY

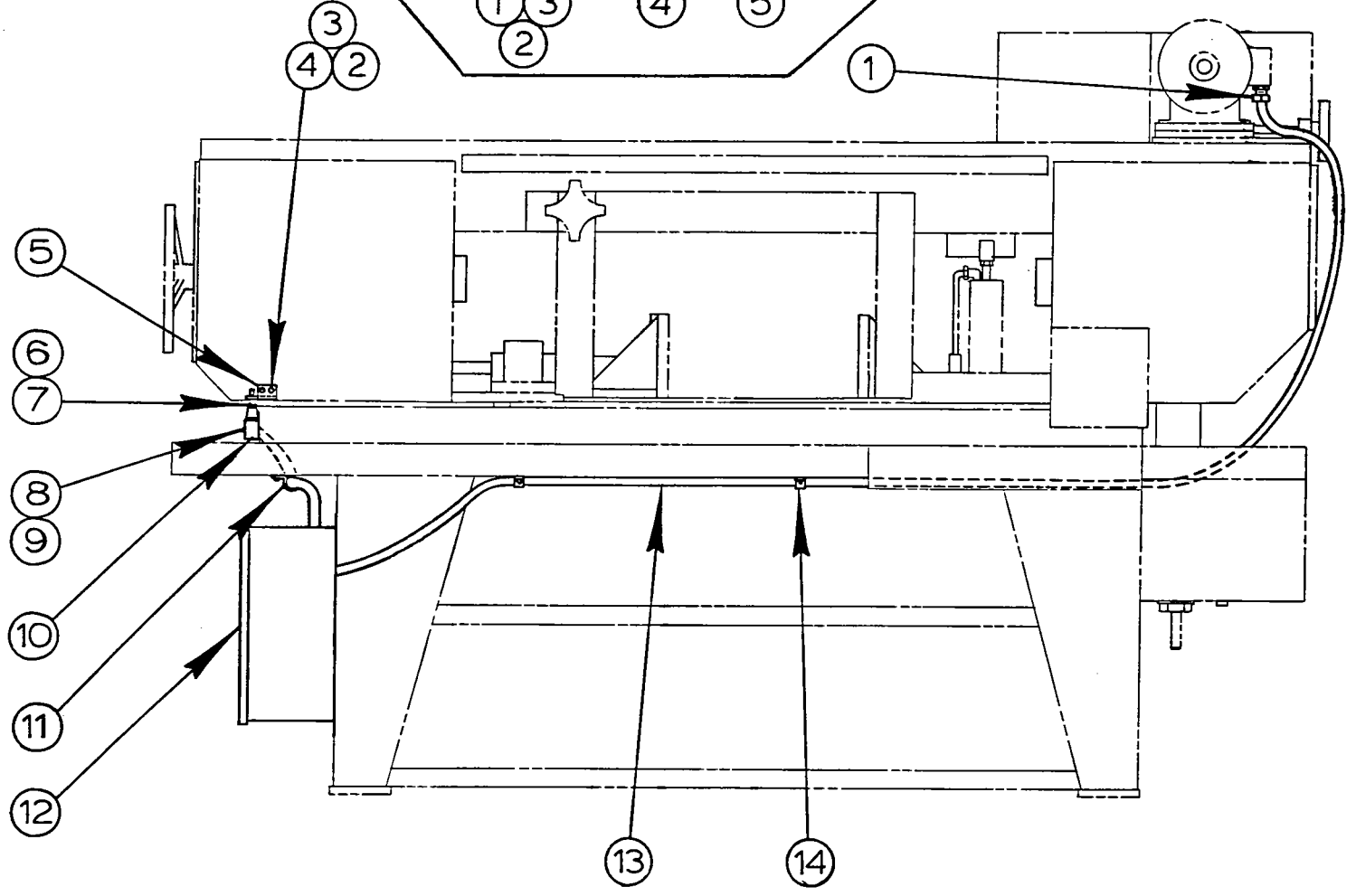
ELECTRICAL ASSEMBLY

| INDEX NO. | PART NO. | DESCRIPTION | UNITS PER ASS'Y |
|-----------|------------|---|-----------------|
| Ref. | 095-117206 | Electrical Assembly | |
| 1 | 091-988675 | . Screw, Rd. Hd. Mach. #10-24NC x 3/8..... | 2 |
| 2 | 091-993204 | . Washer, Lock #10 Std..... | 2 |
| 3 | 091-991125 | . Nut, Hex. #10-24NC..... | 2 |
| 4 | 091-118844 | . Bracket..... | 1 |
| 5 | 091-340976 | . Actuator..... | 1 |
| 6 | 091-991448 | . Nut, Hex. Jam 7/8-9NC..... | 1 |
| 7 | 091-988485 | . Screw, Rd. Hd. Mach. #6-32NC x 1-3/8..... | 2 |
| 8 | 091-993170 | . Washer, Lock #6 Std..... | 2 |
| 9 | 093-129856 | . Limit Switch Sub-Assembly..... | 1 |
| 10 | 090-165606 | . Cable Hanger Clamp..... | 1 |
| 11 | 091-591560 | . Manual Starter (115V; 60 Hz)..... | 1 |
| | 091-651539 | . Manual Starter (208V; 60 Hz)..... | 1 |
| | 091-591594 | . Manual Starter (230V; 60 Hz w/1 Overload)..... | 1 |
| | 091-651547 | . Manual Starter (230V; 60 Hz w/3 Overloads)..... | 1 |
| | 091-651554 | . Manual Starter (380V; 50 Hz)..... | 1 |
| | 091-651562 | . Manual Starter (415V; 50 Hz)..... | 1 |
| | 091-651570 | . Manual Starter (460V; 60 Hz)..... | 1 |
| | 091-651588 | . Manual Starter (575V; 60 Hz)..... | 1 |
| 12 | 091-047704 | . Ground Tag..... | 1 |
| 13 | 090-137427 | . Terminal..... | 4 |
| 14 | 091-447995 | . Cord Grip Connector..... | 2 |
| 15 | 091-972273 | . Conductor Cord (#10-4 R/C Wire)..... | A.R. |
| 16 | 090-165598 | . Cable Hanger Clamp..... | 2 |
| 17 | 091-988675 | . Screw, Rd. Hd. Mach. #10-24NC x 3/8..... | 3 |
| 18 | 091-993204 | . Washer, Lock #10 Std..... | 6 |

| |
|----------------|
| NEW DRG. |
| S.C.L. 5-18-84 |
| REVISIONS |
| S.C.L. 8-24-84 |
| |
| |



LAMP
ASSEMBLY



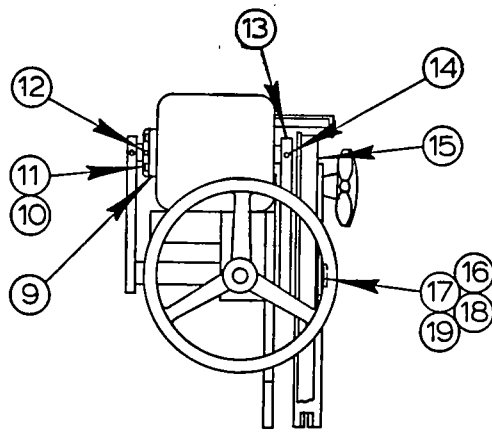
| | | |
|--------------|--------------------|-------------------|
| <u>MODEL</u> | <u>FIRST MACH.</u> | <u>LAST MACH.</u> |
| C-916 | 438-84104 | 438-882157 |

ELECTRICAL ASSEMBLY

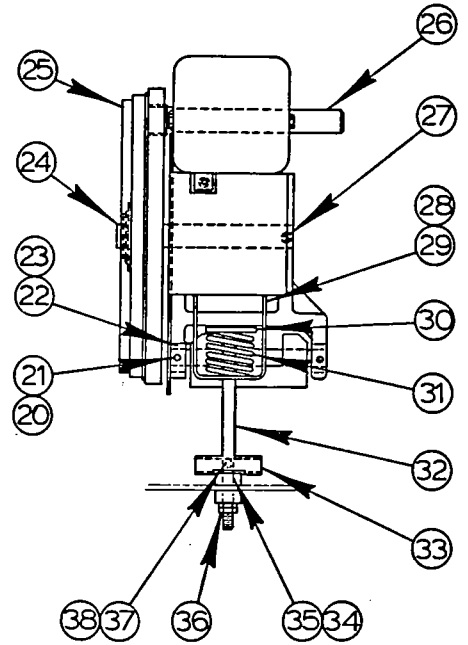
ELECTRICAL ASSEMBLY

| INDEX NO. | PART NO. | DESCRIPTION | UNITS PER ASS'Y |
|-----------|------------|---|-----------------|
| Ref. | 095-117206 | Electrical Assembly | |
| 1 | 091-447995 | . Cord Grip Connector..... | 2 |
| 2 | 091-988675 | . Screw, Rd. Hd. Mach. #10-24NC x 3/8..... | 5 |
| 3 | 091-993204 | . Washer, Lock #10 Std..... | 5 |
| 4 | 091-991125 | . Nut, Hex. #10-24NC..... | 2 |
| 5 | 091-118844 | . Bracket..... | 1 |
| 6 | 091-340976 | . Actuator..... | 1 |
| 7 | 091-991448 | . Nut, Hex. Jam 7/8-9NC..... | 1 |
| 8 | 091-988485 | . Screw, Rd. Hd. Mach. #6-32NC x 1-3/8..... | 2 |
| 9 | 091-993170 | . Washer, Lock #6 Std..... | 2 |
| 10 | 093-129856 | . Limit Switch Sub-Assembly..... | 1 |
| 11 | 090-165606 | . Cable Hanger Clamp..... | 1 |
| 12 | 091-704247 | . Control Box Assembly (240V)(See Detail)..... | 1 |
| | 091-704254 | . Control Box Assembly (480V)(See Detail)..... | 1 |
| | 091-704288 | . Control Box Assembly (115V)(See Detail)..... | 1 |
| | 091-704301 | . Control Box Assembly (230V)(See Detail)..... | 1 |
| 13 | 091-972273 | . Conductor Cord (#10-4 R/C Wire)..... | A.R. |
| 14 | 090-165598 | . Cable Hanger Clamp..... | 2 |
| Ref. | 084-135581 | Lamp Assembly | |
| 1 | 091-688420 | . Lamp Assembly..... | 1 |
| 2 | 091-988956 | . Screw, Rd. Hd. Mach. 1/4-20NC x 1/2..... | 2 |
| 3 | 091-993212 | . Washer, Lock 1/4 Std..... | 2 |
| 4 | 090-172479 | . Hose Clamp..... | 2 |
| 5 | 091-076372 | . Cable Tie..... | 5 |
| | 090-151390 | . Cord Grip Connector (Control Box)(Not Shown)..... | 1 |

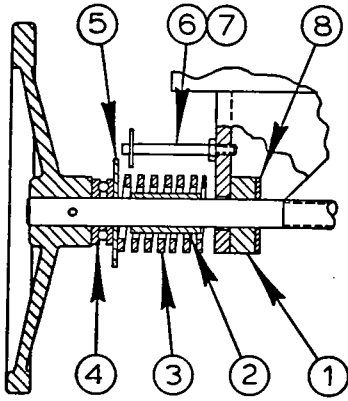
NEW DRG.
SCL. 8-3-83
REVISIONS
SCL. 8-21-84



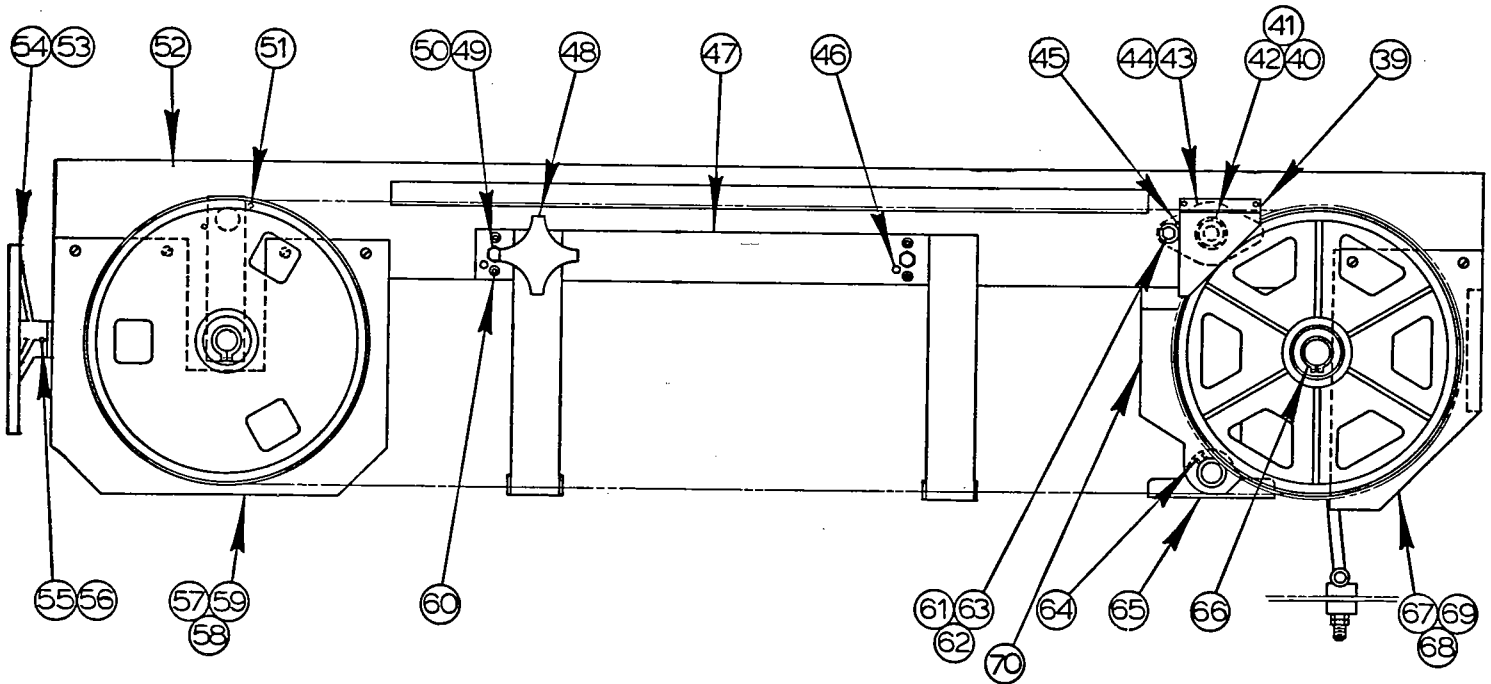
LEFT SIDE VIEW



RIGHT SIDE VIEW



BAND TENSION HANDWHEEL



HEAD ASSEMBLY

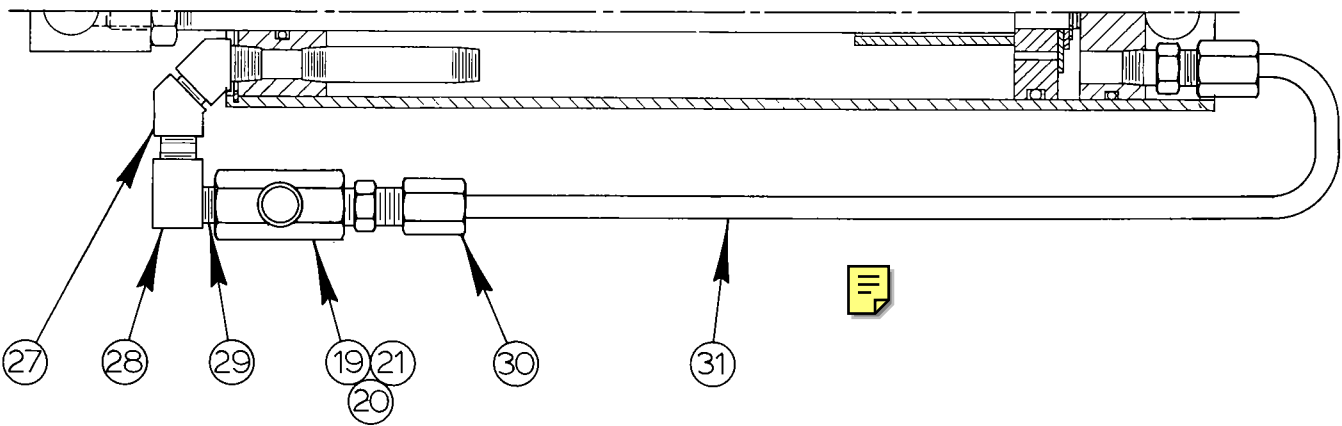
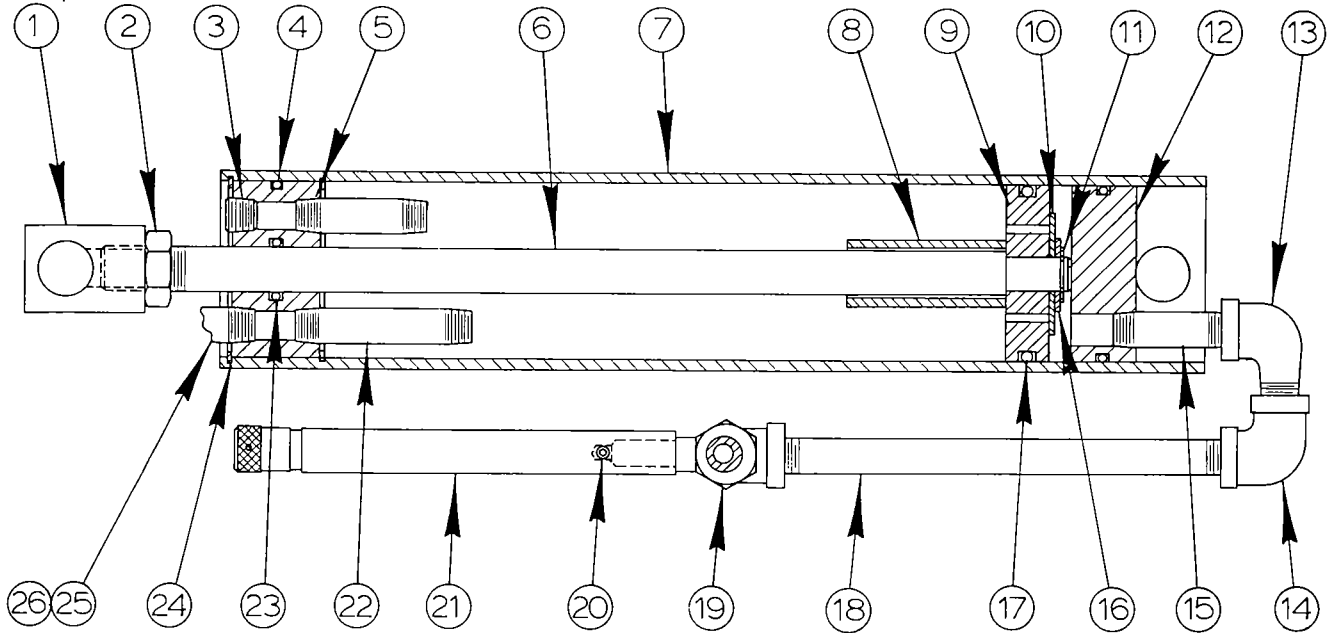
| MODEL | FIRST MACH. | LAST MACH. |
|--------|-------------|------------|
| C-916 | 438-83101 | 438-882157 |
| C-916A | 463-86101 | 463-87121 |
| C-916A | 466-87101 | 466-89293 |

HEAD ASSEMBLY

| INDEX NO. | PART NO. | DESCRIPTION | UNITS PER ASS'Y | INDEX NO. | PART NO. | DESCRIPTION | UNITS PER ASSY |
|-----------|------------|--|-----------------|-----------|------------|--|----------------|
| Ref. | 095-115895 | Head Assembly | | 51 | 135-003283 | . Dowel Pin..... | 2 |
| 1 | 091-577031 | . Rubber Bushing..... | 1 | 52 | 095-112025 | . Head Sub-Assembly (Weldment)..... | 1 |
| 2 | 091-087486 | . Tube..... | 1 | 53 | 091-696229 | . Band Tension Handwheel Assembly.. | 1 |
| 3 | 091-707281 | . Spring..... | 1 | 54 | 093-139970 | . Handwheel..... | 1 |
| 4 | 091-087494 | . Thrust Bearing..... | 1 | 55 | 090-042771 | . Roll Pin..... | 1 |
| 5 | 091-499780 | . Washer..... | 1 | 56 | 091-696211 | . Idler Wheel Screw..... | 1 |
| 6 | 091-626697 | . Stud Assembly..... | 1 | 57 | 094-125218 | . Door Support..... | 1 |
| 7 | 091-991232 | . Nut, Hex. Jam 5/16-18NC..... | 1 | 58 | 091-988675 | . Screw, Rd. Hd. Mach. #10-24NC x 3/8..... | 4 |
| 8 | 091-992685 | . Washer, Flat 3/4 S.A.E. Std..... | 1 | 59 | 091-993196 | . Washer, Lock #10 Std..... | 4 |
| 9 | 091-097873 | . Bearing Block..... | 1 | 60 | 091-986307 | . Screw, Soc. Set 1/2-13NC x 1 (Oval Pt.)..... | 4 |
| 10 | 091-982595 | . Screw, Soc. Hd. Cap 5/16-18NC x 7/8 | 4 | 61 | 091-980953 | . Screw, Hex. Hd. Cap 7/16-14NC x 1 1/4..... | 4 |
| 11 | 091-992628 | . Washer, Flat 5/16 S.A.E. Std..... | 4 | 62 | 091-993261 | . Washer, Lock 7/16 Std..... | 4 |
| 12 | 090-087867 | . Dowel Pin..... | 1 | 63 | 091-991307 | . Nut, Hex. Jam 7/16-14NC..... | 4 |
| 13 | 093-032472 | . Tailwheel Yoke Sub-Assembly..... | 1 | 64 | 091-996553 | . Screw, Soc. Hd. Cap 3/8-16NC x 3/4 (Cone Pt.)..... | 2 |
| | 093-032480 | . Tailwheel Yoke Weldment..... | 1 | 65 | 095-106282 | . Pivot Block..... | 1 |
| | 091-097956 | . Shaft..... | 1 | 66 | 091-082008 | . Retaining Ring..... | 3 |
| 14 | 090-042672 | . Roll Pin..... | 2 | 67 | 095-113940 | . Door Support..... | 1 |
| 15 | 091-705632 | . Bandwheel Sub-Assembly (Idler) (C-916)..... | 1 | 68 | 091-988931 | . Screw, Rd. Hd. Mach. 1/4-20NC x 3/8..... | 11 |
| | 095-034898 | . Bandwheel (Idler)..... | 1 | 69 | 091-993212 | . Washer, Lock 1/4 Std..... | 11 |
| | 091-379057 | . Ball Bearing..... | 2 | | | | |
| 16 | 091-081992 | . Washer..... | 1 | | | | |
| 17 | 091-226522 | . Shim (.010)..... | A.R. | | | | |
| 18 | 091-226530 | . Shim (.020)..... | A.R. | | | | |
| 19 | 091-399030 | . Spacer (.065)..... | 1 | | | | |
| 20 | 091-984484 | . Screw, Soc. Set 3/8-16NC x 3/8..... | 2 | | | | |
| 21 | 090-017419 | . Plug..... | 2 | | | | |
| 22 | 091-677534 | . Shaft..... | 1 | | 091-993048 | . Washer, Flat 1/2 Wrought..... | 1 |
| 23 | 091-676882 | . Bearing..... | 2 | | 091-243964 | . Gasket, Compound..... | A.R. |
| 24 | 093-062115 | . Shaft..... | 1 | | 091-991315 | . Nut, Hex. 1/2-13NC (Top of Flange)..... | 2 |
| 25 | 093-053478 | . Bandwheel Sub-Assembly (Driver)..... | 1 | | | | |
| | 095-058798 | . Bandwheel (Driver)..... | 1 | | | | |
| | 091-379057 | . Ball Bearing..... | 2 | | | | |
| 26 | 093-146223 | . Pinion Shaft (Inch Square Keys)..... | 1 | | | | |
| | 093-146215 | . Pinion Shaft (Metric Keys)..... | 1 | | | | |
| 27 | 091-986091 | . Screw, Soc. Set 3/8-16NC x 1/2 (Half Dog)..... | 1 | | | | |
| 28 | 093-144038 | . Counterbalance Mechanism Assembly... | 1 | | | | |
| 29 | 091-706200 | . Frame Weldment..... | 1 | | | | |
| 30 | 091-706184 | . Flange..... | 1 | | | | |
| 31 | 091-706192 | . Spring..... | 1 | | | | |
| 32 | 091-704853 | . T-Bar Weldment..... | 1 | | | | |
| 33 | 091-438663 | . Pivot Shaft..... | 1 | | | | |
| 34 | 091-438671 | . Stud..... | 1 | | | | |
| 35 | 091-443747 | . Spacer..... | 1 | | | | |
| 36 | 091-991323 | . Nut, Hex. Jam 1/2-13NC..... | 2 | | | | |
| 37 | 091-317958 | . Loctite (#35)..... | A.R. | | | | |
| 38 | 091-327759 | . Locquic Primer..... | A.R. | | | | |
| 39 | 094-129665 | . Pinion Guard..... | 1 | | | | |
| 40 | 135-086882 | . Retaining Ring..... | 1 | | | | |
| 41 | 091-324756 | . Pinion Gear..... | 1 | | | | |
| 42 | 135-071926 | . Woodruff Key..... | 1 | | | | |
| 43 | 091-324749 | . Flange Bearing..... | 2 | | | | |
| 44 | 090-087909 | . 90° Lube Fitting..... | 2 | | | | |
| 45 | 105-115091 | . Dowel Pin..... | 4 | | | | |
| 46 | 114-004732 | . Dowel Pin..... | 2 | | | | |
| 47 | 095-113312 | . Saw Guide Arm Assembly (See Detail).. | 1 | | | | |
| 48 | 091-176701 | . Handwheel Assembly..... | 1 | | | | |
| | 090-116211 | . Handwheel..... | 1 | | | | |
| | 091-053033 | . Stud..... | 1 | | | | |
| | 090-042607 | . Roll Pin..... | 1 | | | | |
| 49 | 091-980680 | . Screw, Hex. Hd. Cap 1/2-13NC x 1-3/4 | 2 | | | | |
| 50 | 091-992669 | . Washer, Flat 1/2 S.A.E. Std..... | 2 | | | | |

FOLLOWING NOT SHOWN:

| |
|---------------|
| NEW DRG. |
| SC.L. 8-2-83 |
| REVISIONS |
| SC.L. 8-22-84 |
| |
| |
| |



ALTERNATE CONFIGURATION

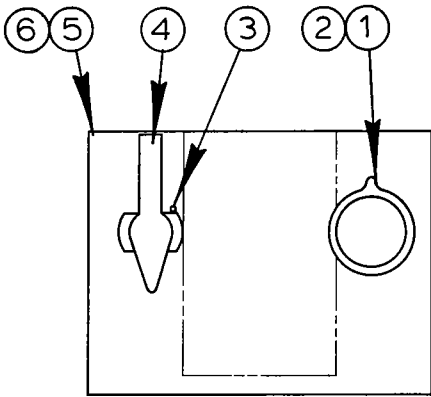
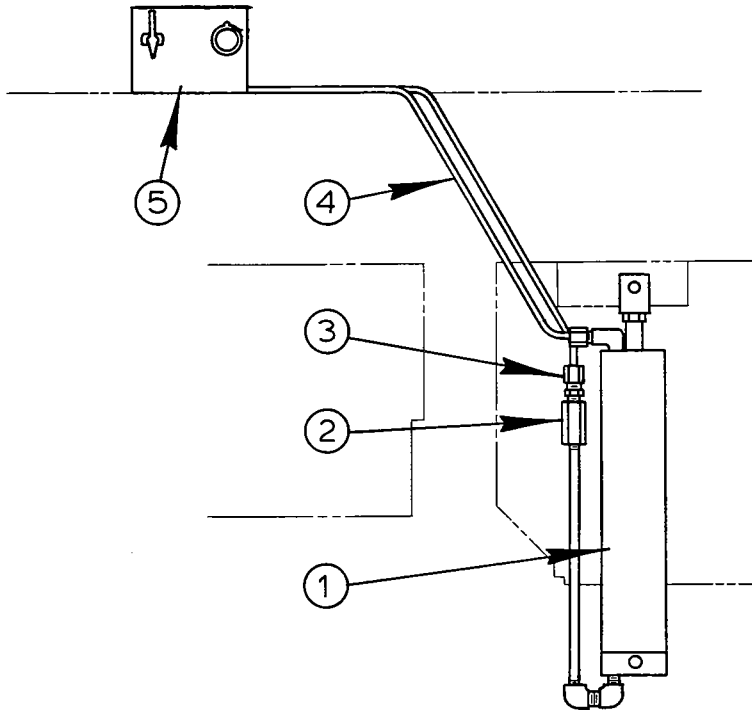
| | | |
|-------|-------------|------------|
| MODEL | FIRST MACH. | LAST MACH. |
| C-916 | 438-83101 | 438-85863 |

HEAD FEED CYLINDER ASSEMBLY

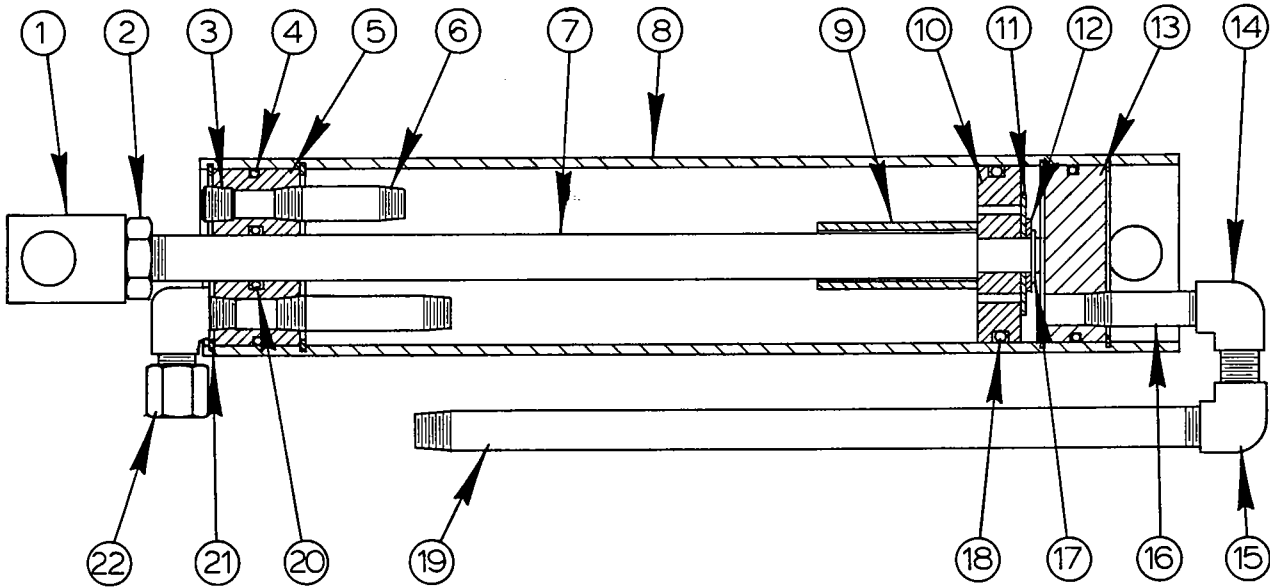
HYDRAULIC FEED CYLINDER ASSEMBLY

| INDEX NO. | PART NO. | DESCRIPTION | UNITS PER ASS'Y |
|-----------|------------|---------------------------------------|-----------------|
| Ref. | 094-126174 | Hydraulic Feed Cylinder Assembly | |
| 1 | 091-588285 | . Lug..... | 1 |
| 2 | 091-991323 | . Nut, Hex. Jam 1/2-13NC..... | 1 |
| 3 | 111-055091 | . Pipe Plug..... | 1 |
| 4 | 091-707307 | . O-Ring..... | 2 |
| 5 | 093-126456 | . End Cap (Top)..... | 1 |
| 6 | 093-126441 | . Rod..... | 1 |
| 7 | 093-126431 | . Cylinder..... | 1 |
| 8 | 091-704775 | . Tube..... | 1 |
| 9 | 093-126472 | . Piston..... | 1 |
| 10 | 091-588301 | . Rubber Washer..... | 1 |
| 11 | 090-032764 | . Retaining Ring..... | 1 |
| 12 | 093-126464 | . End Cap (Bottom)..... | 1 |
| 13 | 105-045207 | . 90° Street Elbow..... | 2 |
| 14 | 135-036473 | . 90° Elbow..... | 1 |
| 15 | 090-116583 | . Pipe Nipple..... | 2 |
| 16 | 091-992644 | . Washer, Flat 3/8 S.A.E. Std..... | 1 |
| 17 | 091-707315 | . O-Ring..... | 1 |
| 18 | 091-345017 | . Pipe Nipple..... | 1 |
| 19 | 091-717231 | . Needle Valve..... | 1 |
| 20 | 091-984815 | . Screw, Soc. Set #6-32NC x 3/16..... | 1 |
| 21 | 091-691477 | . Valve Stem Extension..... | 1 |
| 22 | 091-704791 | . Pipe Nipple..... | 1 |
| 23 | 091-707299 | . O-Ring..... | 2 |
| 24 | 091-016071 | . Retaining Ring..... | 1 |
| 25 | 106-235104 | . 90° Male Elbow..... | 2 |
| 26 | 091-691469 | . Steel Tubing 1/4 O.D..... | 1 |
| 27 | 091-491571 | . 45° Elbow..... | 2 |
| 28 | 105-275069 | . 90° Elbow..... | 1 |
| 29 | 114-145287 | . Close Nipple..... | 2 |
| 30 | 093-090041 | . Male Connector..... | 2 |
| 31 | 091-691469 | . Steel Tubing 1/4 O.D..... | 1 |

REVISED AND
REDRAWN
S.C.L. 8-14-86



CONTROL VALVE ASSEMBLY
(METERING AND SHUT-OFF VALVE)



HEAD FEED CYLINDER ASSEMBLY

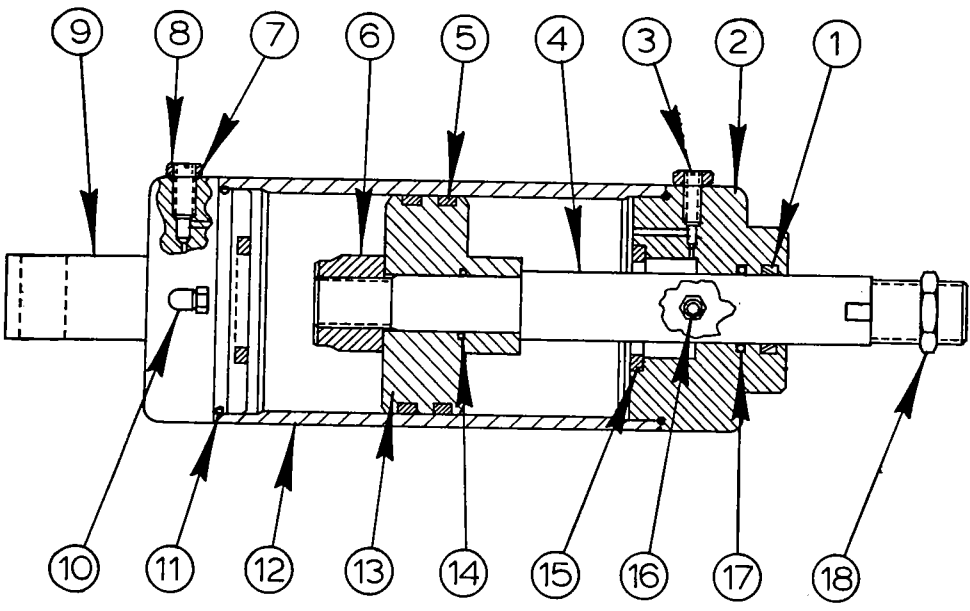
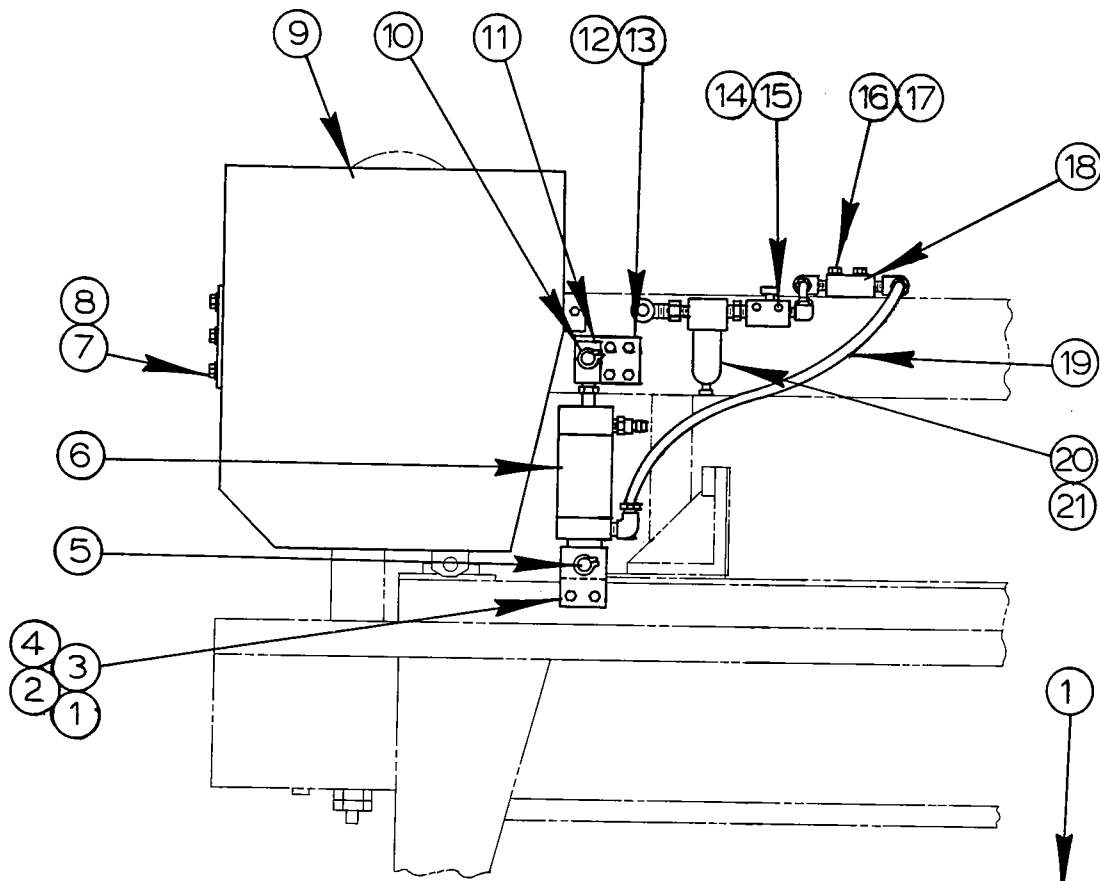
MODEL FIRST MACH. LAST MACH.
C-916 438-85864 438-882157

HEAD FEED CYLINDER & CONTROL VALVE ASSEMBLY

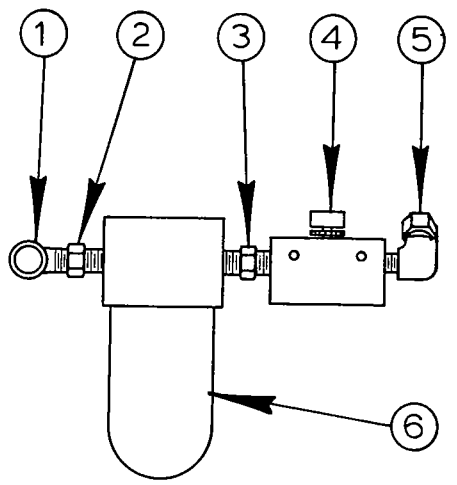
HYDRAULIC FEED CYLINDER AND CONTROL VALVE ASSEMBLY

| INDEX NO. | PART NO. | DESCRIPTION | UNITS PER ASS'Y |
|-----------|------------|---|-----------------|
| Ref. | 094-143880 | Head Feed Cylinder and Control Valve Assembly | |
| 1 | 094-143930 | . Head Feed Cylinder Assembly (See Detail)..... | 1 |
| 2 | 091-727503 | . Orifice..... | 1 |
| 3 | 091-727578 | . Male Connector..... | 3 |
| 4 | 091-971416 | . Nylon Tubing 1/4 O.D..... | A.R. |
| 5 | 094-144151 | . Control Valve Assembly (Metering and Shut-Off Valve) (See Detail)..... | 1 |
| Ref. | 094-144151 | . Control Valve Assembly (Metering and Shut-Off Valve) | |
| 1 | 091-723536 | . . Needle Valve Cartridge Assembly (Includes 091-724492 Knob)..... | 1 |
| 2 | 091-724492 | . . Knob (only)..... | 1 |
| 3 | 090-042094 | . . Roll Pin..... | 1 |
| 4 | 091-727495 | . . Plug Valve w/Handle..... | 1 |
| 5 | | . . Valve Body (Order Complete Assembly)..... | 1 |
| 6 | 091-233320 | . . Pipe Plug..... | 5 |
| | 135-096139 | . . Retaining Ring (Not Shown)..... | 2 |
| Ref. | 094-143930 | . Head Feed Cylinder Assembly | |
| 1 | 091-588285 | . . Lug..... | 1 |
| 2 | 091-991323 | . . Nut, Hex. Jam 1/2-13NC..... | 1 |
| 3 | 111-055091 | . . Pipe Plug..... | 1 |
| 4 | 091-707307 | . . O-Ring..... | 2 |
| 5 | 093-126456 | . . End Cap (Top)..... | 1 |
| 6 | 091-727529 | . . Pipe Nipple..... | 2 |
| 7 | 093-126441 | . . Rod..... | 1 |
| 8 | 093-126431 | . . Cylinder..... | 1 |
| 9 | 091-704775 | . . Tube..... | 1 |
| 10 | 093-126472 | . . Piston..... | 1 |
| 11 | 091-588301 | . . Rubber Washer..... | 1 |
| 12 | 091-992644 | . . Washer, Flat 3/8 S.A.E. Std..... | 1 |
| 13 | 093-126464 | . . End Cap (Bottom)..... | 1 |
| 14 | 091-727560 | . . 90° Elbow..... | 1 |
| 15 | 091-727552 | . . 90° Street Elbow..... | 1 |
| 16 | 091-727545 | . . Pipe Nipple..... | 2 |
| 17 | 090-032764 | . . Retaining Ring..... | 1 |
| 18 | 091-707315 | . . O-Ring..... | 1 |
| 19 | 091-727537 | . . Pipe Nipple..... | 1 |
| 20 | 091-707299 | . . O-Ring..... | 2 |
| 21 | 091-016071 | . . Retaining Ring..... | 4 |
| 22 | 091-727511 | . . 90° Male Elbow..... | 1 |

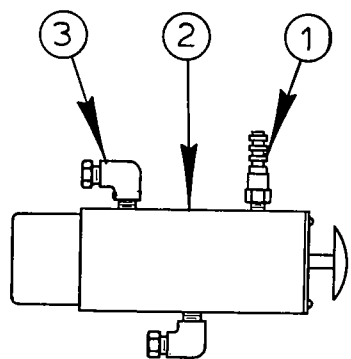
| |
|----------------------------|
| NEW DRG. S.C.L. 3-24-86 |
| REVISIONS |
| |
| |
| |



AIR CYLINDER ASSEMBLY



FILTER ASSEMBLY



VALVE ASSEMBLY

| | | |
|--------------|--------------------|-------------------|
| <u>MODEL</u> | <u>FIRST MACH.</u> | <u>LAST MACH.</u> |
| C-916 | 438-83101 | 438-882157 |

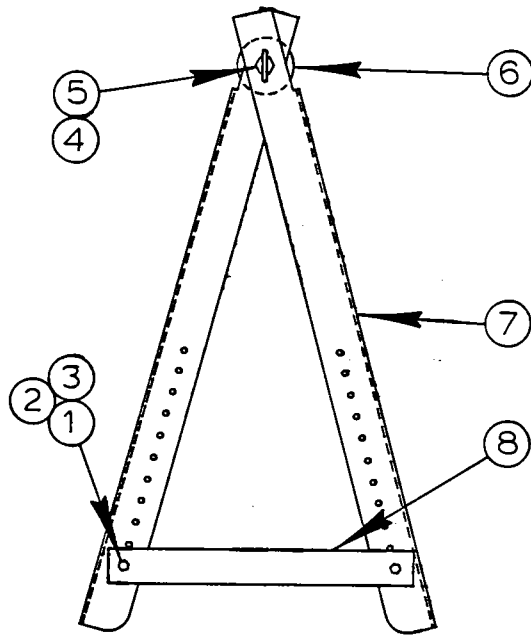
PNEUMATIC HEAD LIFT CYLINDER ASSEMBLY

PNEUMATIC HEAD LIFT CYLINDER ASSEMBLY

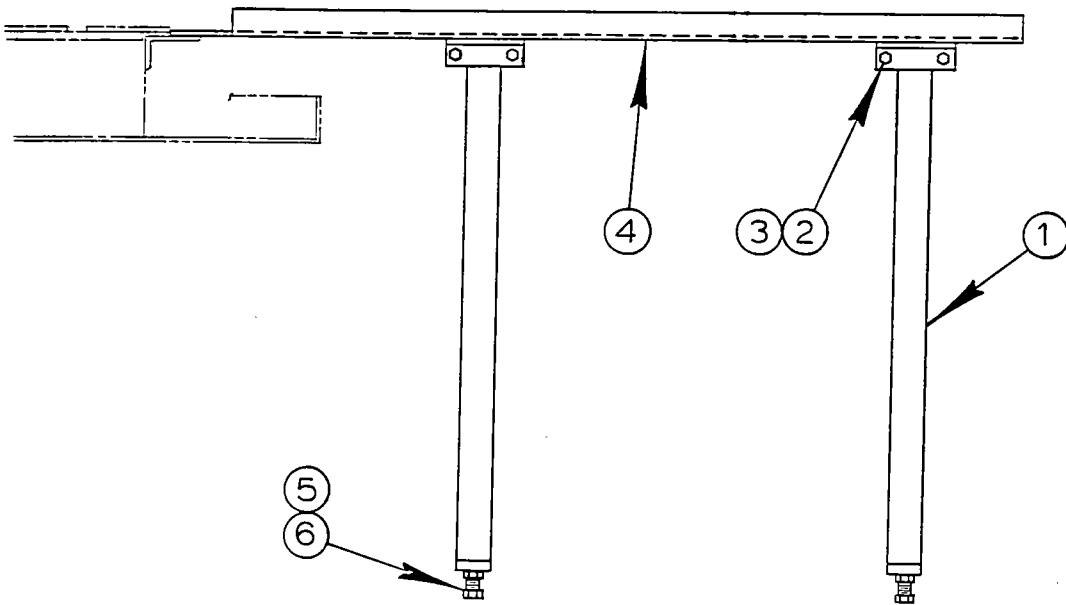
| INDEX NO. | PART NO. | DESCRIPTION | UNITS PER ASS'Y |
|-----------|------------|--|-----------------|
| Ref. | 085-131761 | Pneumatic Head Lift Cylinder Assembly | |
| Ref. | 085-131753 | Pneumatic Head Lift Cylinder Assembly (Retrofit) | |
| 1 | 093-154268 | . Frame | 1 |
| 2 | 091-980284 | . Screw, Hex. Hd. Cap 5/16-18NC x 7/8..... | 2 |
| 3 | 091-983940 | . Screw, Flat Hd. Soc 5/16-18NC x 5/8..... | 2 |
| 4 | 091-993238 | . Washer, Lock 5/16 Std..... | 8 |
| 5 | 091-728048 | . Bottom Pin..... | 1 |
| 6 | 093-153674 | . Air Cylinder Assembly (See Detail)..... | 1 |
| 7 | 091-980060 | . Screw, Hex. Hd. Cap 1/4-20NC x 1/2 (Retrofit)..... | 5 |
| 8 | 091-993212 | . Washer, Lock 1/4 Std. (Retrofit)..... | 5 |
| 9 | 095-114831 | . Cover Weldment (Retrofit)..... | 1 |
| 10 | 135-064269 | . Retaining Ring..... | 3 |
| 11 | 091-728055 | . Adaptor..... | 1 |
| 12 | 093-154250 | . Frame..... | 1 |
| 13 | 091-980300 | . Screw, Hex. Hd. Cap 5/16-18NC x 1-1/4..... | 2 |
| 14 | 091-988618 | . Screw, Rd. Hd. Mach. #8-32NC x 1-1/2..... | 2 |
| 15 | 091-993717 | . Washer, Lock #8 Shakeproof Ext..... | 2 |
| 16 | 091-980128 | . Screw, Hex. Hd. Cap 1/4-20NC x 1-1/2..... | 3 |
| 17 | 091-993212 | . Washer, Lock 1/4 Std..... | 3 |
| 18 | 091-728774 | . Valve Assembly (See Detail)..... | 1 |
| 19 | 091-971416 | . Nylon Tubing 1/4 O.D..... | A.R. |
| 20 | 091-728063 | . Block..... | 1 |
| 21 | 093-154391 | . Filter Assembly (See Detail)..... | 1 |
| Ref. | 093-154391 | Filter Assembly | |
| 1 | 117-135210 | . 90° Street Elbow..... | 1 |
| 2 | 091-728105 | . Adaptor..... | 1 |
| 3 | 091-728113 | . Nipple..... | 1 |
| 4 | 091-728097 | . Variable Orifice..... | 1 |
| 5 | 091-728121 | . 90° Male Elbow..... | 1 |
| 6 | 091-728071 | . Air Filter..... | 1 |
| Ref. | 091-728774 | Valve Assembly | |
| 1 | 091-728089 | . Exhaust Silencer..... | 1 |
| 2 | 091-728709 | . Hand Valve..... | 1 |
| 3 | 091-728121 | . 90° Male Elbow..... | 2 |
| Ref. | 093-153674 | Air Cylinder Assembly | |
| 1 | 091-728741 | . Rod Wiper..... | 1 |
| 2 | 094-144425 | . Rod End Cap..... | 1 |
| 3 | 091-728006 | . Adjusting Screw 5/16-18NC..... | 2 |
| 4 | 091-728022 | . Rod..... | 1 |
| 5 | 091-728725 | . Piston Seal..... | 2 |
| 6 | 091-728014 | . Rod Nut 3/4-16NF..... | 1 |
| 7 | 091-728675 | . O-Ring..... | 2 |
| 8 | 091-727990 | . Nut, Hex. 5/16-18NC..... | 2 |
| 9 | 094-142296 | . End Cap..... | 1 |
| 10 | 091-728121 | . 90° Male Elbow..... | 1 |
| 11 | 091-728667 | . O-Ring..... | 2 |
| 12 | 093-154235 | . Cylinder..... | 1 |
| 13 | 093-154243 | . Piston..... | 1 |
| 14 | 091-728642 | . O-Ring..... | 1 |
| 15 | 091-728733 | . Seal..... | 2 |
| 16 | 091-728089 | . Exhaust Silencer..... | 1 |
| 17 | 091-728659 | . O-Ring..... | 1 |
| 18 | 091-991455 | . Nut, Hex. Jam 7/8-14NF..... | 1 |

NEW DRG.
S.C.L. 6-2-83

REVISIONS
S.C.L. 12-14-84



STOCK STAND ASSEMBLY



RECEIVING TRAY ASSEMBLY

MODEL FIRST MACH. LAST MACH.
C-916 438-83101 438-882157

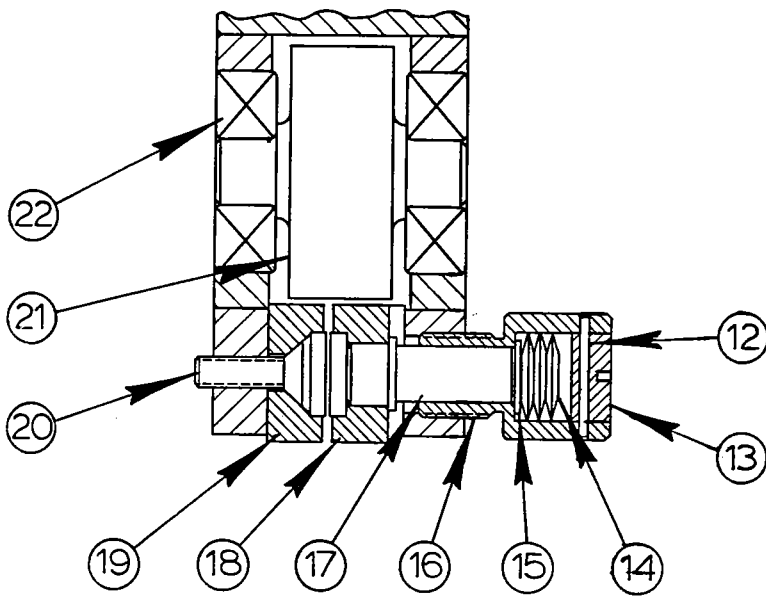
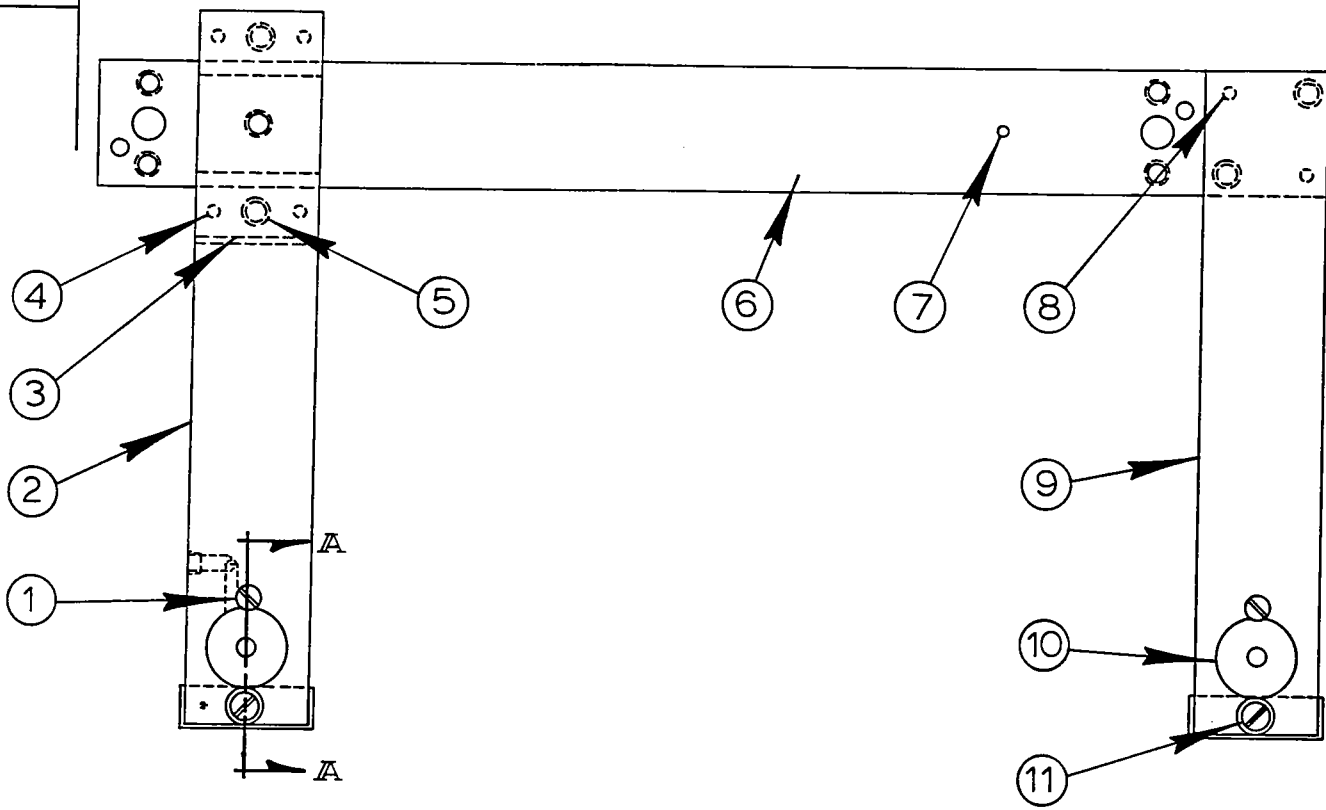
STOCK STAND ASSEMBLY
RECEIVING TRAY ASSEMBLY

| INDEX NO. | PART NO. | DESCRIPTION | UNITS PER ASS'Y |
|-----------|------------|---|-----------------|
| Ref. | 085-128007 | Stock Stand Assembly | |
| 1 | 091-980078 | . Screw, Hex. Hd. Cap 1/4-20NC x 5/8..... | 4 |
| 2 | 091-993212 | . Washer, Lock 1/4 Std..... | 4 |
| 3 | 091-991760 | . Nut, Hex. 1/4-20NC..... | 4 |
| 4 | 090-072851 | . Hex. Shaft..... | 1 |
| 5 | 090-109166 | . Hog Ring..... | 2 |
| 6 | 090-108994 | . 18" Roller Assembly..... | 1 |
| | 091-141549 | . . 18" Tube..... | 1 |
| | 091-141119 | . . Bearing..... | 2 |
| | 091-141101 | . . Star Ring..... | 2 |
| 7 | 095-126686 | . Wrapper..... | 2 |
| 8 | 091-711788 | . Strap..... | 2 |
| Ref. | 085-113405 | Receiving Tray Assembly (Swivel Vise) | |
| 1 | 093-120384 | . Leg Weldment..... | 2 |
| 2 | 091-980292 | . Screw, Hex. Hd. Cap 5/16-18NC x 1..... | 8 |
| 3 | 091-993238 | . Washer, Lock 5/16 Std..... | 8 |
| 4 | 095-113395 | . Tray Weldment (Swivel Vise)..... | 1 |
| 5 | 091-980680 | . Screw, Hex. Hd. Cap 1/2-13NC x 1-3/4..... | 4 |
| 6 | 091-991323 | . Nut, Hex. Jam 1/2-13NC..... | 4 |

NEW DRG.
S.C.L. 8-3-83

REVISIONS

S.C.L. 5-6-87



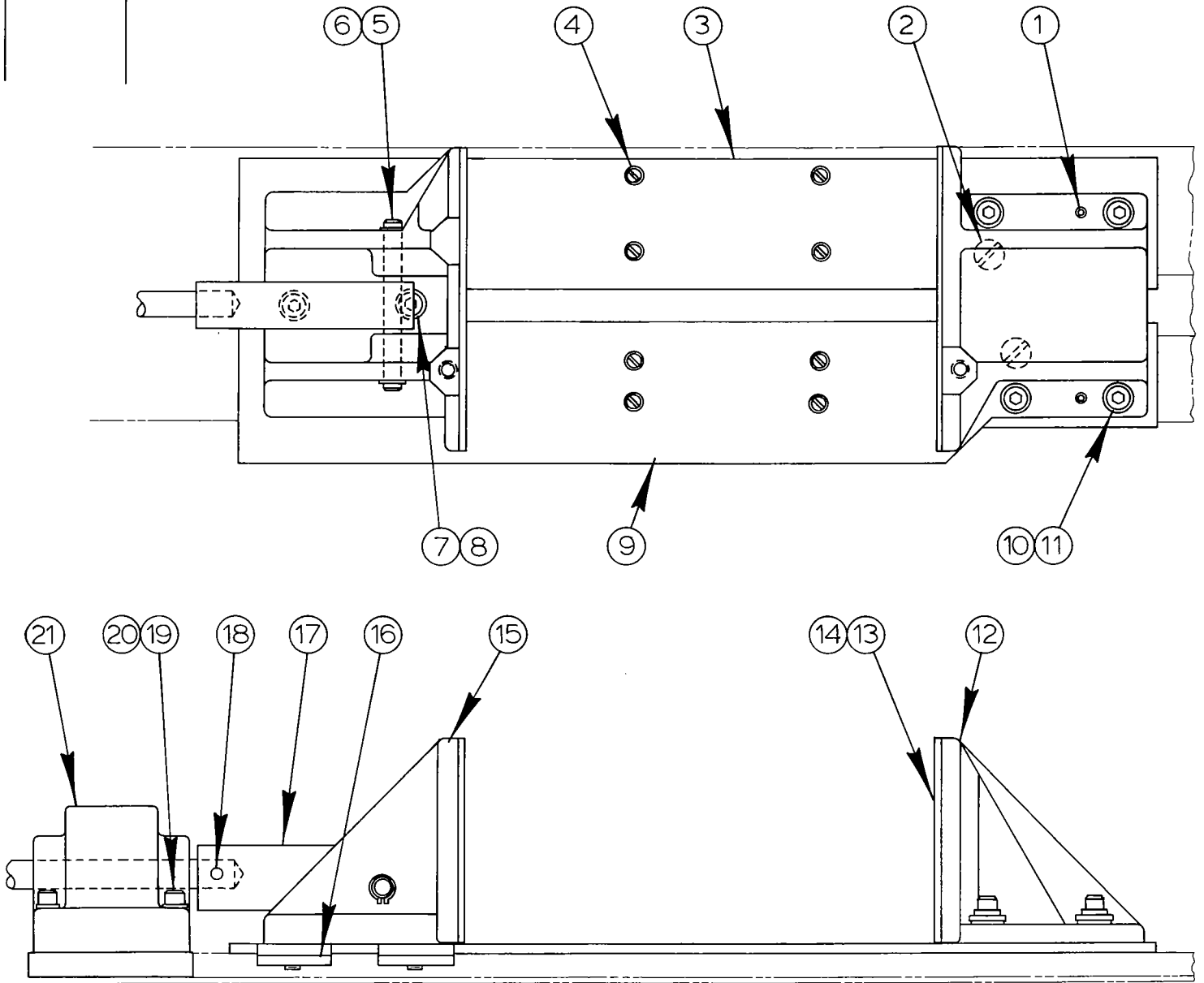
| MODEL | FIRST MACH. | LAST MACH. |
|--------|-------------|------------|
| C-916 | 438-83101 | 438-882157 |
| C-916A | 463-86101 | 463-87121 |
| C-916A | 466-87101 | 466-89293 |

SAW GUIDE ARM ASSEMBLY

SAW GUIDE ARM ASSEMBLY

| INDEX NO. Ref. | PART NO. | DESCRIPTION | UNITS PER ASS'Y |
|-------------------|------------|--|-----------------|
| | 095-113312 | Saw Guide Arm Assembly | |
| 1 | 091-990192 | . Screw, Truss Hd. Mach. 1/4-20NC x 3/8..... | 4 |
| 2 | 095-113320 | . L.H. Saw Guide Arm..... | 1 |
| 3 | 091-572289 | . Slide Block..... | 2 |
| 4 | 090-087867 | . Dowel Pin..... | 4 |
| 5 | 091-982793 | . Screw, Soc. Hd. Cap 3/8-16NC x 1..... | 4 |
| 6 | 094-122595 | . Mounting Bar..... | 1 |
| 7 | 091-016105 | . Dowel Pin..... | 1 |
| 8 | 114-004732 | . Dowel Pin..... | 2 |
| 9 | 095-113338 | . R.H. Saw Guide Arm..... | 1 |
| 10 | 091-691444 | . Adaptor..... | 4 |
| 11 | 091-244194 | . Adjusting Screw Assembly..... | 2 |
| 12 | 090-042177 | . . Roll Pin..... | 1 |
| 13 | 091-240333 | . . Plug..... | 1 |
| 14 | 091-046326 | . . Belleville Washer..... | 6 |
| 15 | 091-992578 | . . Washer, Flat #8 S.A.E. Std..... | 1 |
| 16 | 091-244186 | . . Housing..... | 1 |
| 17 | 091-244178 | . . Plunger..... | 1 |
| 18 | 091-371559 | . Insert Assembly..... | 2 |
| 19 | 091-371583 | . Insert Assembly..... | 2 |
| 20 | 091-987503 | . Screw, Flat Hd. Mach. #10-24NC x 5/8..... | 2 |
| 21 | 091-691451 | . Roller..... | 2 |
| 22 | 090-115296 | . Ball Bearing..... | 2 |

| |
|----------------|
| NEW DRG. |
| S.C.L. 7-22-83 |
| REVISIONS |
| S.C.L. 12-6-84 |
| |
| |



| | | |
|-------|-------------|------------|
| MODEL | FIRST MACH. | LAST MACH. |
| C-916 | 438-83101 | 438-85223 |

VICE JAW ASSEMBLY
(FIXED)

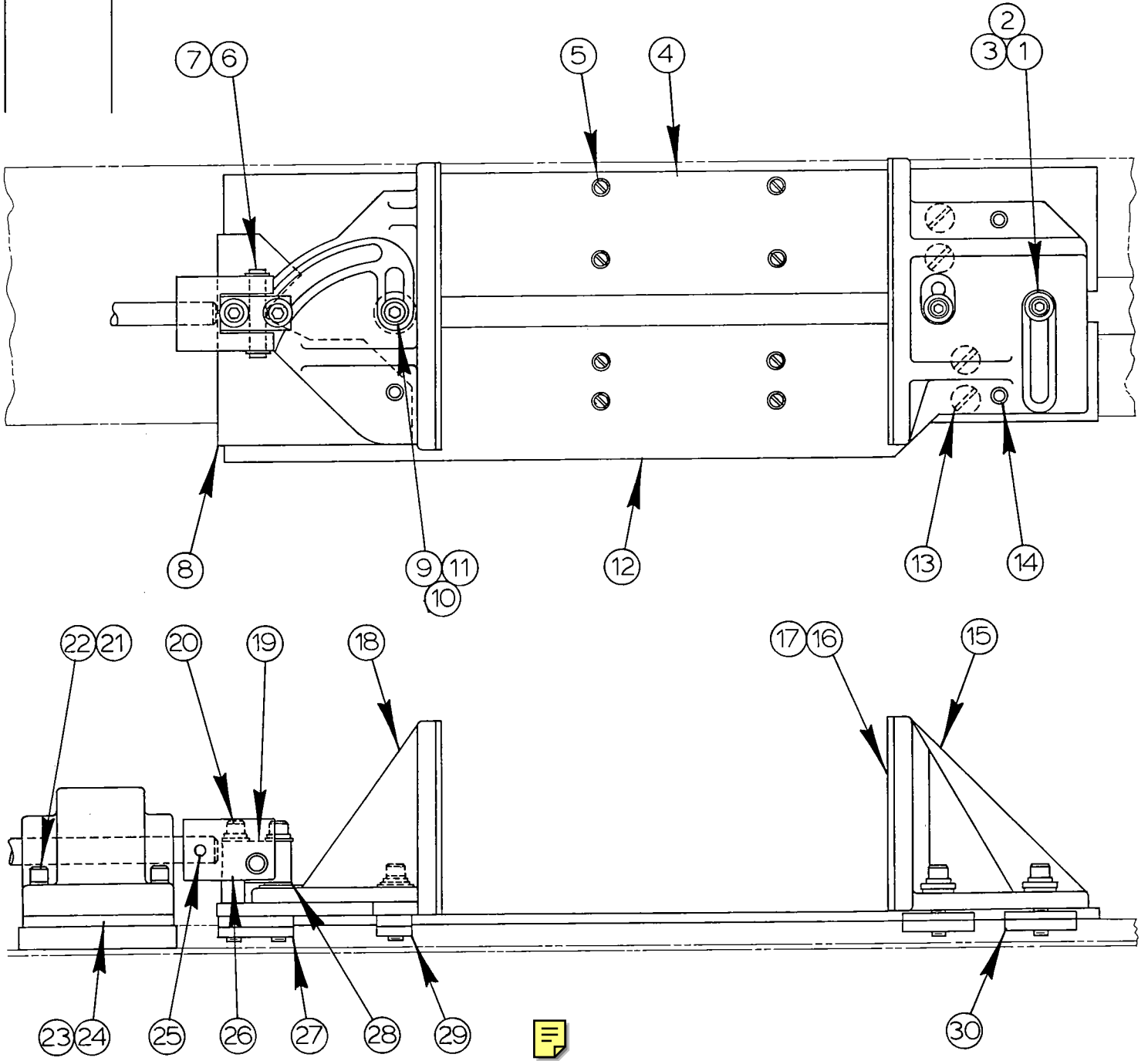
PS - 3 - 114

PRINTED IN U. S. A.

VICE JAW ASSEMBLY
(FIXED)

| INDEX NO. | PART NO. | DESCRIPTION | UNITS PER ASS'Y |
|-----------|------------|--|-----------------|
| Ref. | 094-126166 | Vise Jaw Assembly (Fixed) | |
| 1 | 135-004430 | . Dowel Pin..... | 2 |
| 2 | 091-987719 | . Screw, Flat Hd. Mach. 3/8-16NC x 3/4..... | 2 |
| 3 | 094-122637 | . Top Plate..... | 1 |
| 4 | 091-987594 | . Screw, Flat Hd. Mach. 1/4-20NC x 1/2..... | 24 |
| 5 | 091-324442 | . Pin..... | 1 |
| 6 | 091-193649 | . Grip Ring..... | 2 |
| 7 | 091-982785 | . Screw, Soc. Hd. Cap 3/8-16NC x 3/4..... | 2 |
| 8 | 090-051509 | . Washer, Lock 3/8 Hi-Collar..... | 2 |
| 9 | 094-122629 | . Top Plate..... | 1 |
| 10 | 091-982819 | . Screw, Soc. Hd. Cap 3/8-16NC x 1-1/2..... | 4 |
| 11 | 091-993329 | . Washer, Lock 3/8 Std..... | 4 |
| 12 | 094-059680 | . Fixed Jaw..... | 1 |
| 13 | 093-130680 | . Wear Plate..... | 2 |
| 14 | 091-591339 | . Screw, Soc. Hd. Cap 1/4-20NC x 1/2 (Low Head)..... | 12 |
| 15 | 094-050143 | . Movable Jaw..... | 1 |
| 16 | 090-304627 | . Tee Nut..... | 2 |
| 17 | 091-588228 | . Adaptor..... | 1 |
| 18 | 090-042847 | . Roll Pin..... | 1 |
| 19 | 091-982645 | . Screw, Soc. Hd. Cap 5/16-18NC x 2..... | 4 |
| 20 | 091-993238 | . Washer, Lock 5/16 Std..... | 4 |
| 21 | 091-588210 | . Fixture Lock..... | 1 |

| |
|----------------|
| NEW DRG. |
| S.C.L. 7-26-83 |
| REVISIONS |
| S.C.L. 8-21-84 |
| |
| |



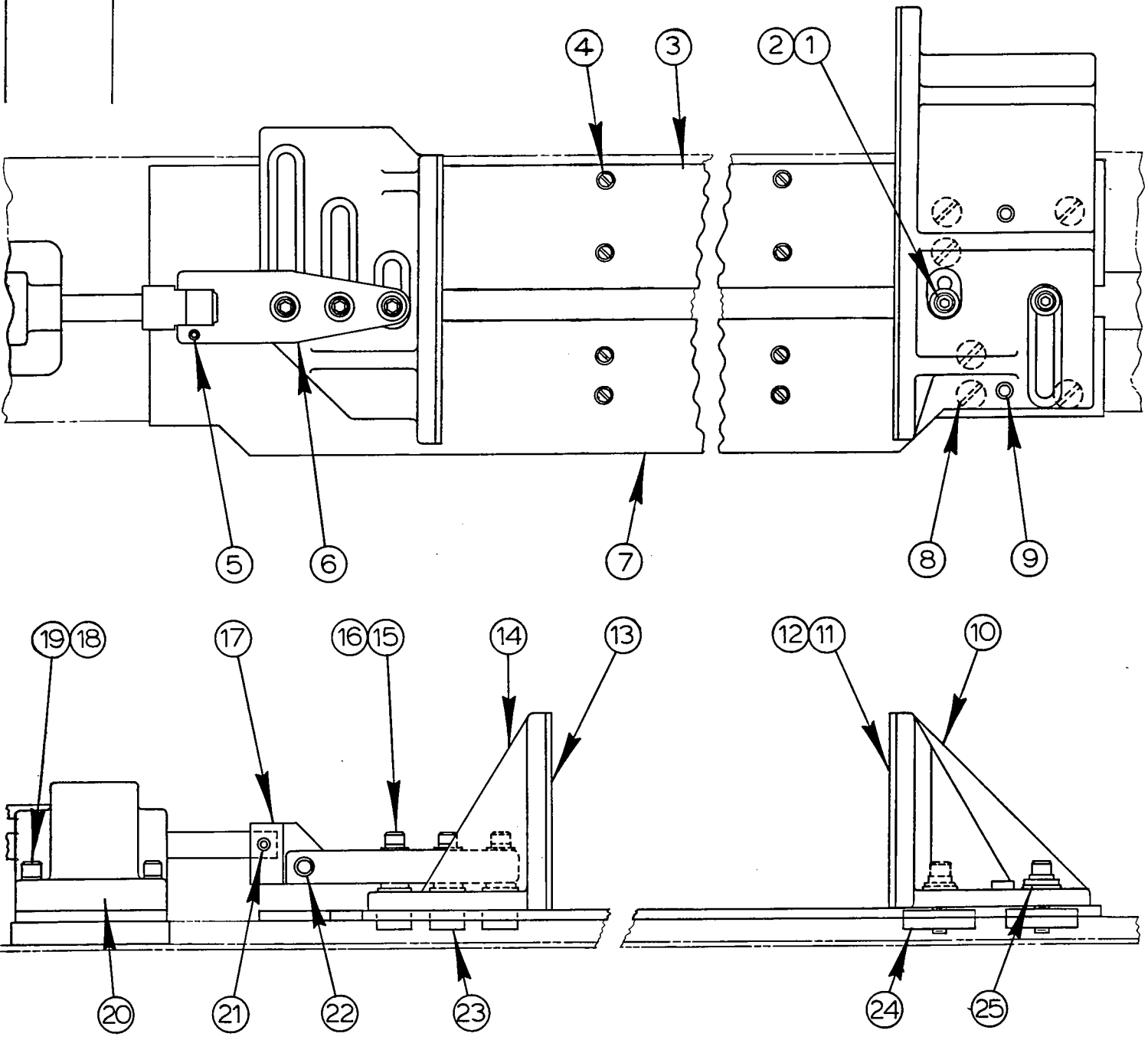
| | | |
|--------------|--------------------|-------------------|
| <u>MODEL</u> | <u>FIRST MACH.</u> | <u>LAST MACH.</u> |
| C-916 | 438-83101 | 438-85783 |

WISE JAW ASSEMBLY
(SWIVEL)

VICE JAW ASSEMBLY
(SWIVEL)

| INDEX NO. | PART NO. | DESCRIPTION | UNITS PER ASS'Y |
|-----------|------------|--|-----------------|
| Ref. | 094-129707 | Vise Jaw Assembly (Swivel) | |
| 1 | 091-982827 | . Screw, Soc. Hd. Cap 3/8-16NC x 1-3/4..... | 2 |
| 2 | 090-051509 | . Washer, Lock 3/8 Hi-Collar..... | 5 |
| 3 | 091-704767 | . Washer..... | 4 |
| 4 | 094-122637 | . Top Plate..... | 1 |
| 5 | 091-987594 | . Screw, Flat Hd. Mach. 1/4-20NC x 1/2..... | 24 |
| 6 | 091-253518 | . Pin..... | 1 |
| 7 | 091-193649 | . Grip Ring..... | 2 |
| 8 | 091-406587 | . Plate Assembly..... | 1 |
| | 094-066883 | . . Plate..... | 1 |
| | 114-004732 | . . Dowel Pin..... | 1 |
| | 091-317965 | . . Loctite (#311)..... | A.R. |
| 9 | 091-982835 | . Screw, Soc. Hd. Cap 3/8-16NC x 2..... | 1 |
| 10 | 091-992644 | . Washer, Flat 3/8 S.A.E. Std..... | 3 |
| 11 | 091-419242 | . Spacer..... | 1 |
| 12 | 094-122629 | . Top Plate..... | 1 |
| 13 | 091-987719 | . Screw, Flat Hd. Mach. 3/8-16NC x 3/4..... | 6 |
| 14 | 091-707323 | . Pin Assembly..... | 2 |
| | 091-707349 | . . Collar..... | 1 |
| | 091-707331 | . . Pin..... | 1 |
| 15 | 091-406579 | . Fixed Jaw Assembly..... | 1 |
| | 095-051488 | . . Fixed Jaw..... | 1 |
| | 091-220269 | . . Drill Bushing..... | 2 |
| | 091-317965 | . . Loctite (#311)..... | A.R. |
| 16 | 093-130680 | . Wear Plate..... | 2 |
| 17 | 091-591339 | . Screw, Soc. Hd. Cap 1/4-20NC x 1/2 (Low Head)..... | 12 |
| 18 | 091-406561 | . Movable Jaw Assembly..... | 1 |
| | 095-051504 | . . Movable Jaw..... | 1 |
| | 091-220269 | . . Drill Bushing..... | 1 |
| | 091-317965 | . . Loctite (#311)..... | A.R. |
| 19 | 093-057214 | . Block..... | 1 |
| 20 | 091-982876 | . Screw, Soc. Hd. Cap 3/8-16NC x 3..... | 2 |
| 21 | 091-982645 | . Screw, Soc. Hd. Cap 5/16-18NC x 2..... | 4 |
| 22 | 091-993238 | . Washer, Lock 5/16 Std..... | 4 |
| 23 | 091-706762 | . Pad..... | 1 |
| 24 | 091-588210 | . Fixture Lock..... | 1 |
| 25 | 090-042847 | . Roll Pin..... | 1 |
| 26 | 091-681627 | . Clevis..... | 1 |
| 27 | 093-047835 | . Tee..... | 1 |
| 28 | 091-992644 | . Washer, Flat. 3/8 S.A.E. Std..... | 1 |
| 29 | 091-406553 | . Tee..... | 1 |
| 30 | 093-047843 | . Tee..... | 2 |

| |
|--------------|
| NEW DRG. |
| SCL. 4-17-85 |
| REVISIONS |
| SCL. 8-14-86 |
| |
| |



| | | |
|--------------|--------------------|-------------------|
| <u>MODEL</u> | <u>FIRST MACH.</u> | <u>LAST MACH.</u> |
| C-916 | 438-85784 | 438-882157 |

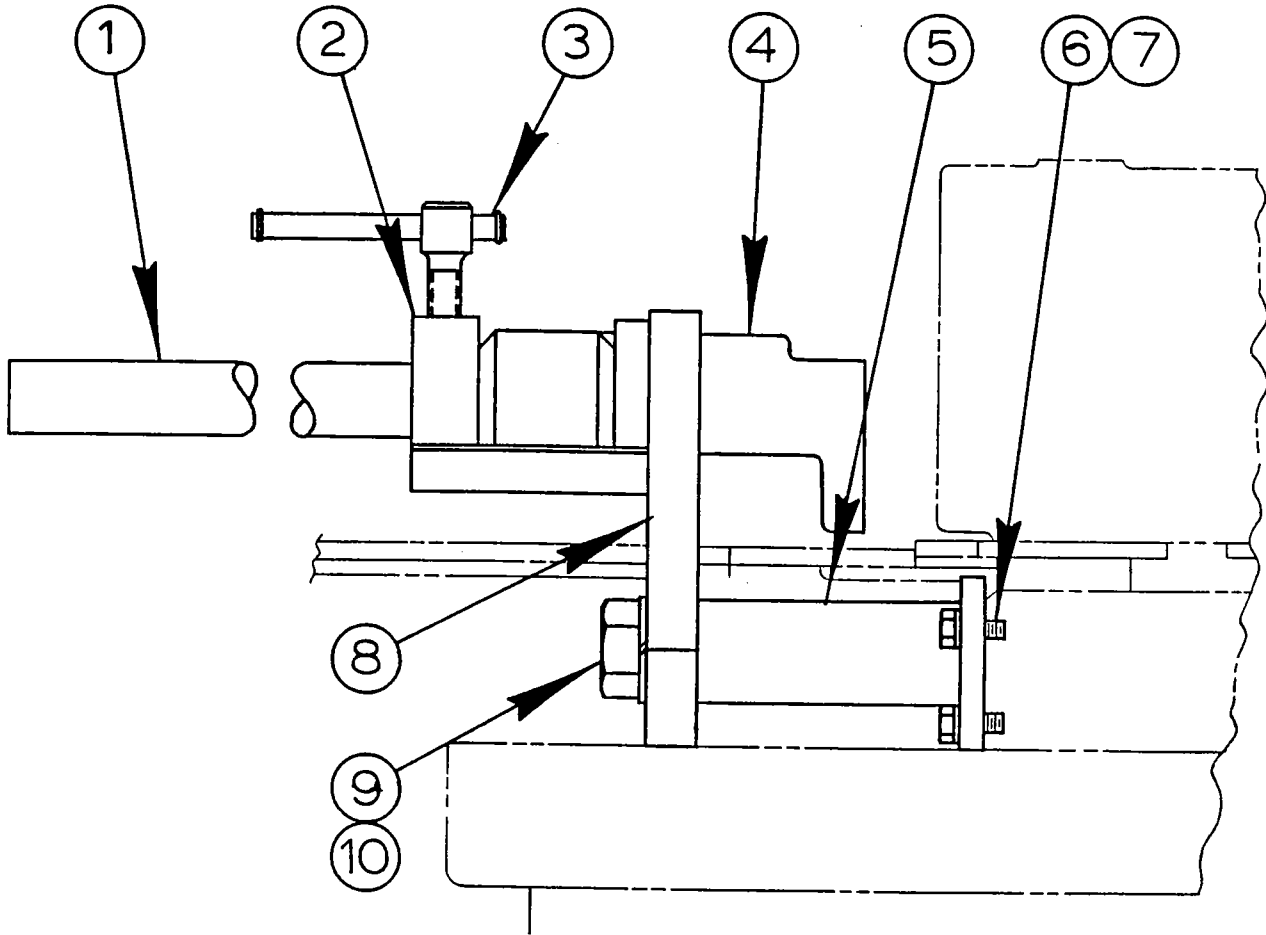
WISE JAW ASSEMBLY
(SWIVEL)

WISE JAW ASSEMBLY
(SWIVEL)

| INDEX NO. | PART NO. | DESCRIPTION | UNITS PER ASS'Y |
|-----------|------------|--|-----------------|
| Ref. | 095-126496 | Vise Jaw Assembly (Swivel) | |
| 1 | 091-996645 | . Screw, Soc. Hd. Cap 3/8-16NC x 1 1/2..... | 2 |
| 2 | 091-993329 | . Washer, Lock 3/8 Std..... | 5 |
| 3 | 094-138898 | . Wear Plate..... | 1 |
| 4 | 091-987594 | . Screw, Flat Hd. Mach. 1/4-20NC x 1/2..... | 24 |
| 5 | 091-984229 | . Screw, Soc. Set 1/4-20NC x 1/4..... | 1 |
| 6 | 090-231572 | . Link..... | 1 |
| 7 | 094-138880 | . Wear Plate..... | 1 |
| 8 | 091-987719 | . Screw, Flat Hd. Mach. 3/8-16NC x 3/4..... | 6 |
| 9 | 091-707323 | . Pin Assembly..... | 2 |
| | 091-707349 | . . Collar..... | 1 |
| | 091-707331 | . . Pin..... | 1 |
| 10 | 095-127551 | . Fixed Jaw Assembly..... | 1 |
| | 095-127569 | . . Fixed Jaw..... | 1 |
| | 091-220269 | . . Drill Bushing..... | 2 |
| | 091-318063 | . . Loctite (#290)..... | A.R. |
| 11 | 093-149060 | . Wear Plate..... | 1 |
| 12 | 091-591339 | . Screw, Soc. Hd. Cap 1/4-20NC x 1/2 (Low Head)..... | 14 |
| 13 | 093-130680 | . Wear Plate..... | 1 |
| 14 | 095-126488 | . Movable Jaw..... | 1 |
| 15 | 091-982850 | . Screw, Soc. Hd. Cap 3/8-16NC x 2 1/2..... | 3 |
| 16 | 091-992644 | . Washer, Flat 3/8 S.A.E. Std..... | 3 |
| 17 | 093-145159 | . Adaptor..... | 1 |
| 18 | 091-982645 | . Screw, Soc. Hd. Cap 5/16-18NC x 2..... | 4 |
| 19 | 091-993238 | . Washer, Lock 5/16 Std..... | 4 |
| *20 | 091-735811 | . Pumping Fixture Lock..... | 1 |
| 21 | 090-042839 | . Roll Pin..... | 1 |
| 22 | 090-070079 | . Pin..... | 1 |
| 23 | 091-707406 | . Tee..... | 3 |
| 24 | 093-047843 | . Tee..... | 2 |
| 25 | 091-704767 | . Washer..... | 5 |

*NOTE: Item #20 was 091-588210 Before Serial #438-871522.

| |
|-----------------|
| NEW DRG. |
| S.C.L. 7-26-83 |
| REVISIONS |
| S.C.L. 8-14-86 |
| S.C.L. 12-15-87 |
| S.C.L. 8-27-90 |
| |
| |



| <u>MODEL</u> | <u>FIRST MACH.</u> | <u>LAST MACH.</u> |
|--------------|--------------------|-------------------|
| C-916 | 438-83101 | 438-882157 |
| C-916M | 470-88101 | 470-911292 |

WORKSTOP ASSEMBLY

WORKSTOP ASSEMBLY

| INDEX NO. Ref. | PART NO. | DESCRIPTION | UNITS PER ASS'Y |
|-------------------|------------|---|-----------------|
| | 083-141424 | Workstop Assembly | |
| 1 | 091-101451 | . Pipe..... | 1 |
| 2 | 091-101568 | . Collar Weldment..... | 1 |
| 3 | 090-133232 | . Lock Screw Assembly..... | 1 |
| | 090-133224 | . . Rod..... | 1 |
| | 090-133216 | . . Lock Screw..... | 1 |
| | 091-310144 | . . Retaining Ring..... | 2 |
| 4 | 090-338260 | . Workstop Casting..... | 1 |
| 5 | 093-154904 | . Arm Weldment..... | 1 |
| 6 | 091-980086 | . Screw, Hex, Hd. Cap 1/4-20NC x 3/4..... | 4 |
| 7 | 091-993212 | . Washer, Lock 1/4 Std..... | 4 |
| 8 | 091-101469 | . Block..... | 1 |
| 9 | 091-980912 | . Screw, Hex. Hd. Cap 3/4-10NC x 2..... | 1 |
| 10 | 091-993295 | . Washer, Lock 3/4 Std..... | 1 |